

FEATURES

- Control of high-pressure fluids
- NAMUR interface pilot for 1/4" solenoid spool valve
- Coaxial-type valve designed for high flow rates with low pressure loss
- Compatible with viscous or abrasive gases and liquids
- Suitable for high pressure applications
- Valve without actuator gland designed for long service life
- Vacuum operation up to 10⁻⁴ mbar
- The valves satisfy article 3.3 of Pressure Equipment Directive 97/23/EC

GENERAL

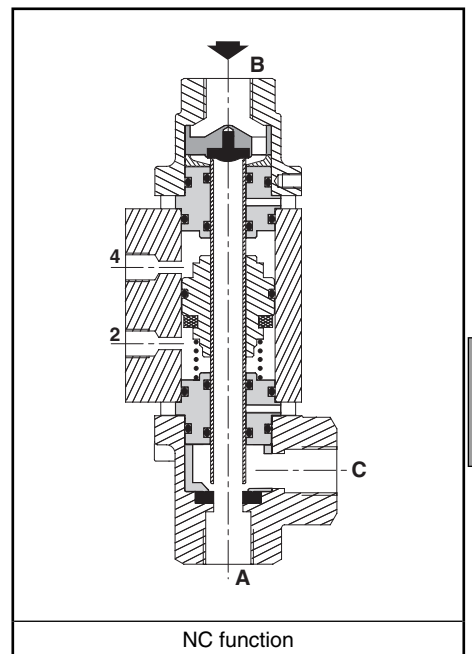
Differential pressure	[1 bar = 100 kPa]
pilot 3/2 NC	A → B : 40 bar, B → A : 12 bar
pilot 5/2	A → B : 40 bar, B → A : 40 bar
Ambient temperature range	-20°C to +100°C
Maximum viscosity	
pilot 3/2 NC	500 cSt (mm ² /s)
pilot 5/2	6000 cSt (mm ² /s)
Pilot fluid	Air or oil
Pilot pressure	4 to 8 bar
Pilot fluid temperature	0°C to +60°C
Response time (air operation ΔP = 4 bar)	3/8 1/2 3/4 1
opening (ms)	30 35 40 50
closing (ms)	50 60 60 70

fluids (*)	temperature range (TS)	seal materials (*)
air and gas groups 1 & 2 water, oil, liquids groups 1 & 2	- 20°C to + 100°C	FPM (fluoroelastomer) PTFE

MATERIALS IN CONTACT WITH FLUID

(*) Ensure that the compatibility of the fluids in contact with the materials is verified

Body	Brass
Internal parts	Brass
Tube	Stainless steel
Seals	FPM
Disc seal	PTFE



SPECIFICATIONS

pipe size	DN	flow coefficient Kv				operating pressure differential (bar)				catalogue number	
						max. (PS)					
		A → B		A → C		min.	air/gas/water/oil (*)				
(m ³ /h)	(l/min)	(m ³ /h)	(l/min)		B → A	B → A ⁽¹⁾	A ↔ C	A → B			
NC - Normally closed											
3/8	10	2,2	36,6	1,6	26,6	0	12	40	40	40	G387A101
1/2	15	5,2	86,6	3,6	60	0	12	40	40	40	G387A102
3/4	20	7,5	125	5,6	93,3	0	12	40	40	40	G387A103
1	25	12,2	203,3	10,2	170	0	12	40	40	40	G387A104
NO - Normally open											
3/8	10	2,2	36,6	1,6	26,6	0	12	40	40	40	G387A105
1/2	15	5,2	86,6	3,6	60	0	12	40	40	40	G387A106
3/4	20	7,5	125	5,6	93,3	0	12	40	40	40	G387A107
1	25	12,2	203,3	10,2	170	0	12	40	40	40	G387A108

⁽¹⁾ Pilot 5/2.

OPTIONS

- ATEX 94/9/EC versions for use in zones 1/21-2/22, categories 2-3, use suffix GD2 (example: G387A101GD2)
- Magnetic position detectors (MR) "T profile":
 - with 2 m PVC lead, 3 wires 0,14 mm², stripped and tinned ends, catalogue number: **88100737**
 - with 5 m PVC lead, 3 wires 0,14 mm², stripped and tinned ends, catalogue number: **88100738**
 - with 0,15 m PVC lead + plug-in male connector Ø M8 - 3 pins, catalogue number: **88100739**
 - with 0,15 m PVC lead + screw-type male connector Ø M12 - 3 pins, catalogue number: **88100740**

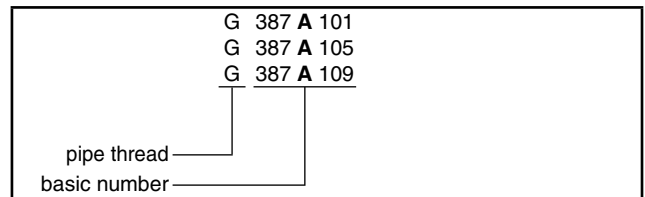
INSTALLATION

- The valves can be mounted in any position without affecting operation
- Valves have two mounting holes in body
- Pipe connection identifier is G = G (ISO 228/1)
- Installation/maintenance instructions are included with each valve

SPARE PARTS KITS & ACCESSORIES

catalogue number	spare parts kit n°.	mounting bracket n°.
G387A101/105	C140208	C140130
G387A102/106	C140210	C140131
G387A103/107	C140212	C140132
G387A104/108	C140214	C140133

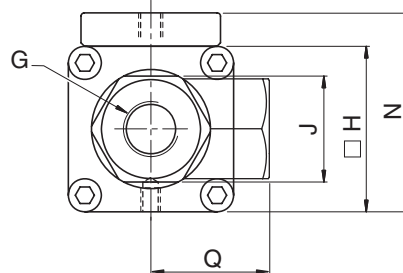
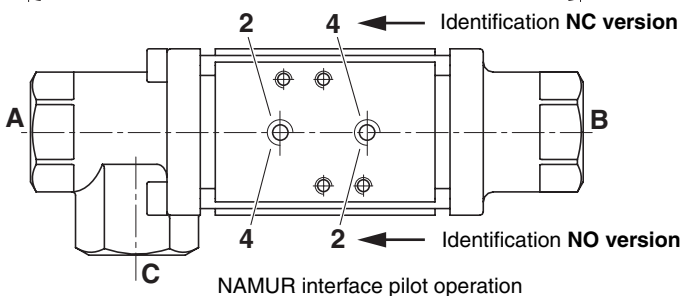
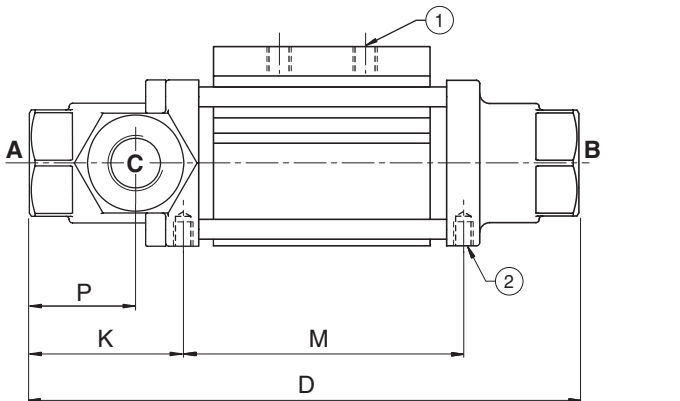
ORDERING EXAMPLES:



DIMENSIONS (mm), WEIGHT (kg)



TYPE 01
NAMUR interface pilot



Pressure inlet:

- NC function = port B
- NO function = port C

- ① 2 pilot ports G 1/8
- ② 2 mounting holes Ø M5, depth 7 mm

type	G	D	H	J	K	M	N	P	Q	X	Y	Z	weight ⁽¹⁾
01	3/8	166	50	32	46	85	60	32	37	24	111	6	1,5
	1/2	200	70	41	58	103	68	38,5	60	38	136	6	3,0
	3/4	229	80	46	71	111	78	45,5	72	45	151	7	4,4
	1	249	90	55	73	121	88	48	80	50	165	7	6,1

⁽¹⁾ Without mounting brackets.

