

### FEATURES

- Brass bodied valves are designed to provide maximum flow and have an integrated quick exhaust function
- The pilot operated solenoid valves have a resilient (poppet) soft seating for absolute tight shut-off on low and high pressures
- The solenoid valves satisfy all relevant EC directives

### GENERAL

**Differential pressure** 0,7 - 14 bar [1 bar = 100 kPa]  
**Maximum viscosity** 65 cSt (mm<sup>2</sup>/s)  
**Response times** 75 - 100 ms

fluids (*)	temperature range (TS)	seal materials (*)
air, inert gas, water, oil	-20 to +90°C	NBR (nitrile)



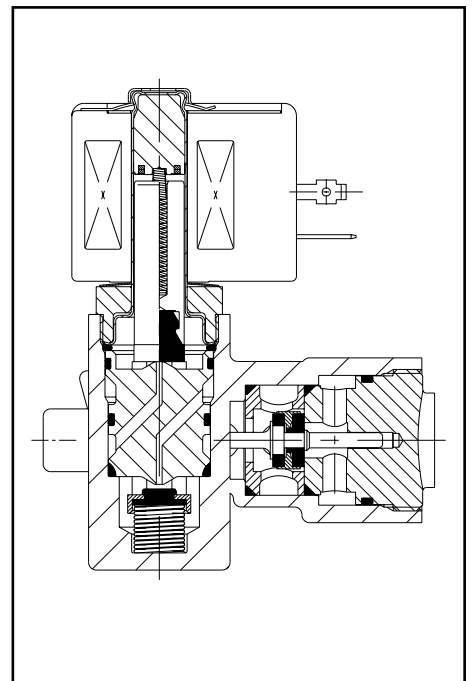
### MATERIALS IN CONTACT WITH FLUID

(\*) Ensure that the compatibility of the fluids in contact with the materials is verified

Body	Brass
Core tube	Stainless steel
Core and plugnut	Stainless steel
Core spring	Stainless steel
Piston	Stainless steel
Seal	NBR
Discs and poppets	NBR
Discholder	CA
Seat	Brass
Seat insert	CA
Shading coil	Copper

### ELECTRICAL CHARACTERISTICS

**Coil insulation class** F  
**Connector** Spade plug (cable Ø 6-10 mm)  
**Connector specification** ISO 4400 / EN 175301-803, form A  
**Electrical safety** IEC 335  
**Standard voltages** DC (=) : 24V  
(Other voltages and 60 Hz on request) AC (~) : 24V - 115V - 230V / 50 Hz



coil type	power ratings				ambient temperature range (TS) (°C)	protection
	inrush	holding		hot/cold		
	~ (VA)	~ (VA)	(W)	= (W)		
CM6-FT	34,0	15,6	6,0	7 / 9,7	-20 to +75	moulded IP65

### SPECIFICATIONS

pipe size	orifice size		flow coefficient Kv				min.	operating pressure differential (bar)						coil type	catalogue number	OPTIONAL				
	P → A	A → E	P → A		A → E			maximum (PS)								FPM	EPDM	CR	PTFE	
	(mm)	(mm)	(m <sup>3</sup> /h)	(l/min)	(m <sup>3</sup> /h)	(l/min)		air (*)	water (*)	oil (*)										
NPT	(mm)	(mm)	(m <sup>3</sup> /h)	(l/min)	(m <sup>3</sup> /h)	(l/min)		~	=	~	=	~	=	~/=						
<b>NC - Normally closed</b>																				
1/4	7,1	8,7	0,7	11,7	1,0	16,7	0,7	14	14	14	14	14	14	14	CM6-FT	SCB321A001	V	E		
3/8	7,1	8,7	0,7	11,7	1,0	16,7	0,7	14	14	14	14	14	14	14	CM6-FT	SCB321A002	V	E		
<b>NO - Normally open</b>																				
1/4	7,1	8,7	0,7	11,7	1,0	16,7	0,7	14	14	14	14	14	14	14	CM6-FT	SCB321A003	V	E		
3/8	7,1	8,7	0,7	11,7	1,0	16,7	0,7	14	14	14	14	14	14	14	CM6-FT	SCB321A004	V	E		

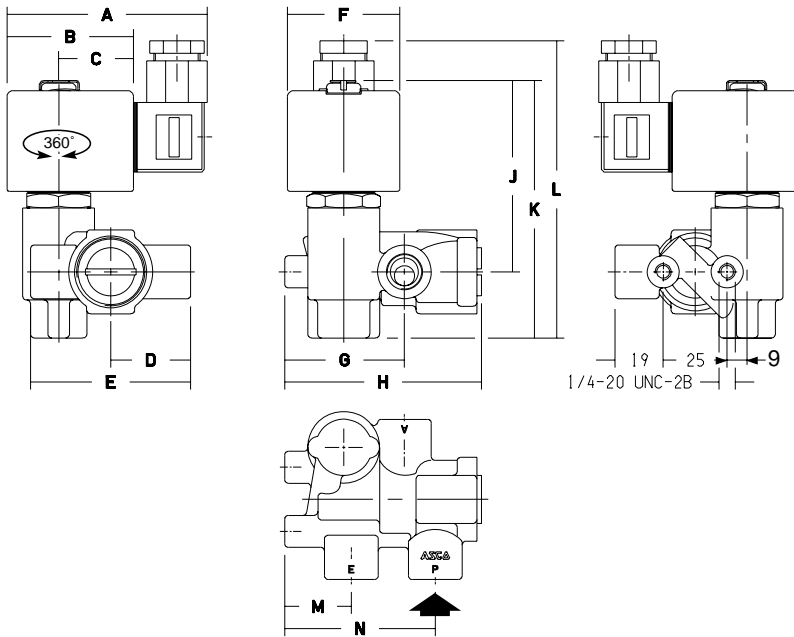
### OPTIONS

- Valves can also be supplied with FPM (fluorelastomer) and EPDM (ethylene-propylene) sealings, discs and poppets. Use the appropriate optional suffix letter for identification
- Waterproof enclosure with embedded screw terminal coil and Pg 13,5 cable gland to meet CEE-10 (IP67)
- Explosionproof enclosures for hazardous locations according to "ATEX/CENELEC" and national standards
- Explosionproof and watertight enclosures according to "NEMA" standards
- Compliance with "UL" and "CSA" standards
- Low power execution
- Manual operator available (push button type, suffix "MO" / Maintained type suffix "MS")
- Plug with visual indication and with peak voltage suppression or with cable length of 2m

### INSTALLATION

- The valves can be mounted in any position without affecting operation
- **Important:** a minimum operating pressure differential must be maintained between the pressure and exhaust ports. Supply and exhaust piping must be full area and unrestricted
- Two mounting holes are provided in the valve body
- Pipe connection identifier is: B = NPT (ANSI 1.20.3)
- The third digit in the catalogue number indicates the standard pipe connection
- Other pipe threads are available on request
- Installation/maintenance instructions are included with each valve
- Spare Parts Kit and replacement coils are available

### DIMENSIONS (mm), WEIGHT (kg)



**BOTTOM VIEW BODY**

catalogue number SC B321	A	B	C	D	E	F	G	H	J	K	L	M	N	weight (1)
A001, A002 A003, A004	75	45	27	32	64	39	40	78	71	98	115	26	59	0,8

(1) incl. coil and connector

All leaflets are available on: [www.ascojoucomatic.com](http://www.ascojoucomatic.com)