

FEATURES

- Compact and low weight valve enabling easy installation
- AC/DC interchangeability of the solenoid head without any need for disassembly of the valve
- Manual operator as standard
- The solenoid valves satisfy all relevant EC directives

GENERAL

Differential pressure See «SPECIFICATIONS» [1 bar = 100 kPa]
Maximum viscosity 40 cSt (mm²/s)
Response time 5 - 10 ms

fluids (*)	temperature range (TS)	seal materials (*)
air, inert gas, water, oil	- 10°C to + 80°C	NBR (nitrile)
	- 10°C to + 130°C	FPM (fluoroelastomer)

MATERIALS IN CONTACT WITH FLUID

(*) Ensure that the compatibility of the fluids in contact with the materials is verified

Body	Brass
Core tube	Stainless steel
Internal parts	Stainless steel
Springs	Stainless steel
Seats	Brass
Seals	NBR or FPM
Shading coil	Copper

ELECTRICAL CHARACTERISTICS

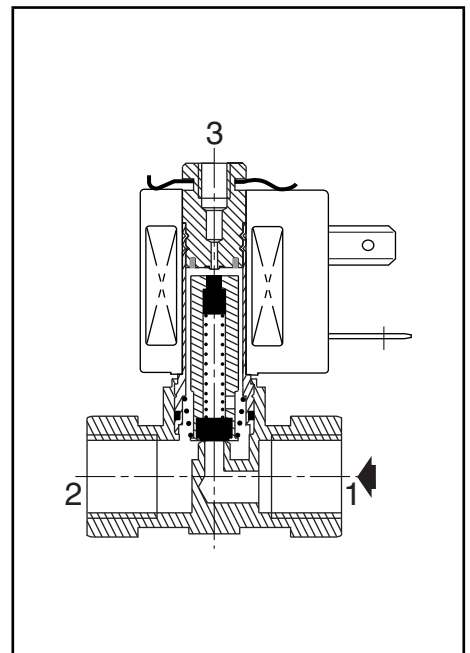
Coil insulation class F
Connector Spade plug (cable Ø 6-10 mm)
Connector specification ISO 4400 / EN 175301-803, form A
Electrical safety IEC 335
Electrical enclosure protection Moulded IP65 (EN 60529)
Standard voltages DC (-): 24V - 48V
 (Other voltages and 60 Hz on request) AC (~): 24V - 48V - 115V - 230V / 50 Hz

-	power ratings				operator ambient temperature range (TS) (C°)	replacement coil		type ⁽¹⁾
	inrush	holding	hot/cold			~	=	
	(VA)	(VA)	(W)	(W)		230 V/50 Hz	24 V DC	
-	15	7	5	5 / 6,9	-10 to + 60	43004649	43004647	01

⁽¹⁾ Refer to the dimensional drawings on the following page.

SPECIFICATIONS

pipe size	orifice size		low coefficient Kv				operating pressure differential (bar)				power coil (W)		catalogue number with maintained manual operator		
	1 → 2	2 → 3	1 → 2		2 → 3		min.	max. (PS)				~	=	NBR	FPM
	(mm)	(mm)	(m ³ /h)	(l/min)	(m ³ /h)	(l/min)		air (*)	water/oil (*)		~				
(G*)								~	=	~	=	~	=		
NC - Normally closed															
1/4	1	1,5	0,03	0,5	0,075	1,25	0	15	15	15	15	5	6,9	10700206	10700209
	1,5	1,5	0,06	1	0,075	1,25	0	12	12	12	12	5	6,9	10700207	10700210
	2,5	1,5	0,144	2,4	0,075	1,25	0	5	5	5	5	5	6,9	10700208	10700211



OPTIONS

- Explosionproof enclosure for use in zone 22, category 3 to ATEX Directive 94/9/EC (see "Explosionproof solenoids" section)
- Exhaust port regulator M5 adaptable on port 3, catalogue number: **34600380**
- Oxygen service, used option catalogue number: **970517**
- Other pipe connections are available on request
- Plug with visual indication and peak voltage suppression or with cable length of 2 m (see Solenoids, Coils & Accessories section)

INSTALLATION

- The solenoid valves can be mounted in any position without affecting operation
- Solenoid valves have 2 mounting holes in body
- Pipe connections (G*) have standard combination thread according to ISO 228/1 and ISO 7/1
- Installation/maintenance instructions are included with each valve

ORDERING EXAMPLES:

10700206	230V / 50 Hz
10700210	115V / 50 Hz
10700210 970517	24V / DC
10700208	230V / 50 Hz

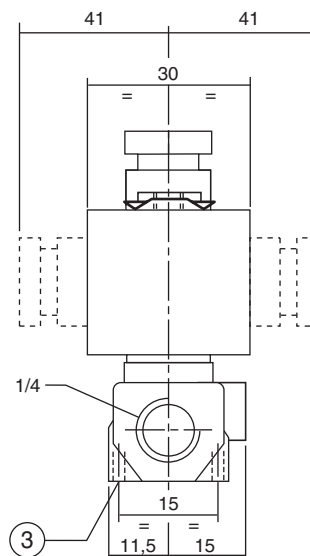
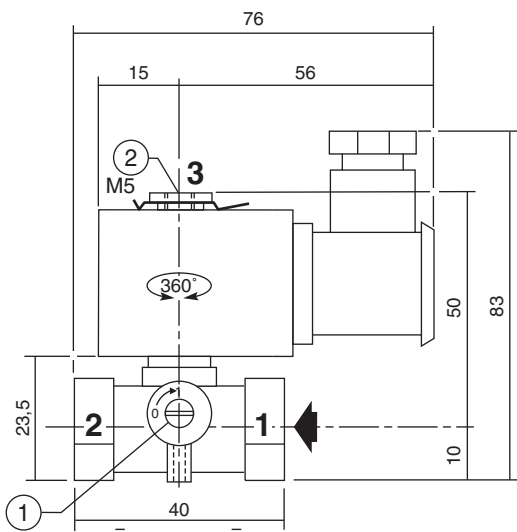
basic number ————— voltage
options —————

DIMENSIONS (mm), WEIGHT (kg)



TYPE 01

Epoxy moulded
IEC 335 / ISO 4400
IP65



type	weight ⁽¹⁾
01	0,226

- ① Manual operator location
- ② Port 3: fitting M5, depth 5,5
- ③ 2 mounting holes Ø M4, depth 5 mm

⁽¹⁾ including coil and connector.