

FEATURES

- Solenoid valves satisfy all relevant EC directives
- Solenoid valve fitted with IP65 protection metal cover for harsh industrial environments
- Rugged construction for high pressures
- Manual operator as standard

GENERAL

Differential pressure 0 to 25 bar [1 bar = 100 kPa]
Ambient temperature range -10°C to +40°C
Maximum viscosity 40 cSt (mm²/s)
Response time 10 - 20 ms

fluids (*)	temperature range (TS)	seals (*)
water, air, inert gas, oil	-10°C to +80°C	NBR (nitrile)

MATERIALS IN CONTACT WITH FLUID

(*) Ensure that the compatibility of the fluids in contact with the materials is verified

Body Brass
Internal parts Stainless steel
Springs Stainless steel
Seats Brass
Seals NBR
Shading coil Copper

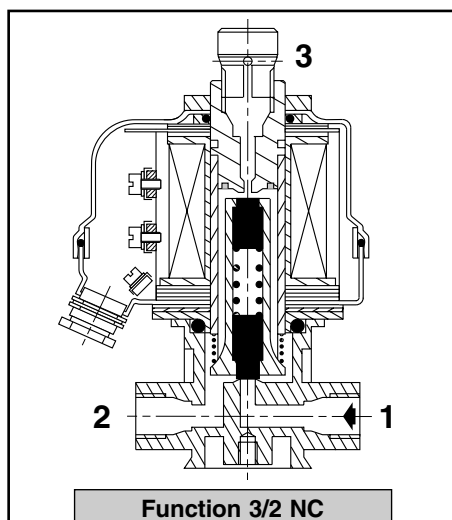
OTHER MATERIALS

Solenoid head IP 65 protection metal cover (1)

ELECTRICAL CHARACTERISTICS

Coil insulation class E
Coil fitting Screw terminals
Cable entry Cable gland (Pg 11M)
Electrical safety IEC 335
Standard voltages DC (=): 24V - 48V
(Other voltages and 60 Hz on request) AC (~): 24V - 48V - 115V - 230V / 50 Hz

coil type	nominal power ratings				ambient temperature range (TS) (°C)	coil construction
	inrush		holding			
	(VA)	(VA)	(W)	(W)		
screws-12W/8W	75	22	12	8	-10 to +40	wrapped



5

SPECIFICATIONS

pipe size	orifice size	flow coefficient Kv		operating pressure differential (bar)				coil type	(M)	catalogue number (~ / =)		reference	
				min.	maximum (PS)		NBR seals						
					air (*)	water/oil (*)				~	=		
(G*)	(mm)	(m ³ /h)	(l/min)										
NC - Normally closed													
1/4	1,5	0,078	1,3	0	25	25	25	25	screws	×	12100384 12100383	12100382 12100381	MB301/O-1,5
	3	0,21	3,5	0	10	10	10	10	screws	×	12100309 12100373	12100310 12100372	MB301/O-3
	5	0,36	6	0	3,5	3,5	3,5	3,5	screws	×	12100313 12100147	12100314 12100152	MB301/O-5
NO - Normally open													
1/4	1,5	0,078	1,3	0	25	25	20	20	screws	×	12100365 12100414	12100364 12101074	MB301/F-1,5
	3	0,21	3,5	0	10	8	8	6	screws	×	12100317 12100354	12100318 12100353	MB301/F-3
	5	0,36	6	0	4	3	3	2	screws	×	12100321 12100177	12100322 12100182	MB301/F-5
U - Universal													
1/4	1,5	0,078	1,3	0	15	15	15	15	screws	×	12100349 12100350	12100348 12100732	MB301/U-1,5
	3	0,21	3,5	0	3,5	3	3,5	3	screws	×	12100325 12100343	12100326 12100338	MB301/U-3
	5	0,36	6	0	1,5	0,5	1,5	0,5	screws	×	12100329 12100214	12100330 12101012	MB301/U-5

(M) Manual operator: X: without ■: button
(1) Earth terminal inside the casing.

OPTIONS

- Pad mounting for 3/2 U and 3/2 NC version
- Flameproof enclosure EEx d for potentially explosive atmospheres according to "ATEX/CENELEC" (see Section 10)
- Coil insulation class B, H
- FPM seals (fluoroelastomer)
- Chromium, marine paint/anti-corrosive environment
- Oxygen service, catalogue number **970500**
- Impulse manual operator

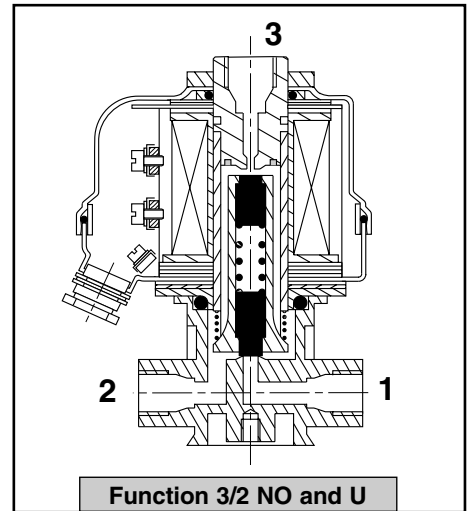
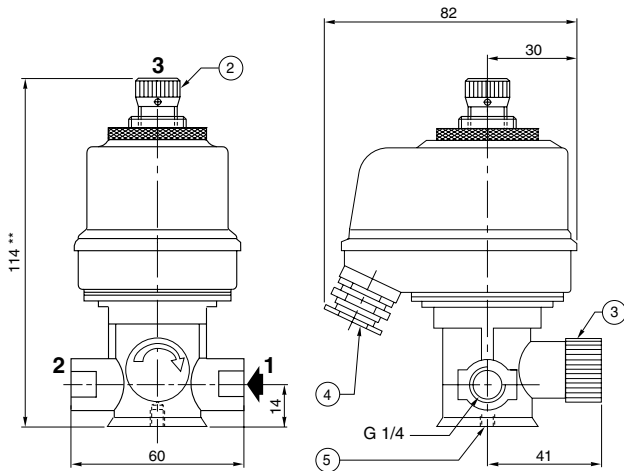
INSTALLATION

- The solenoid valves can be mounted in any position, **except solenoid head downward**
- Energizing must always take place with the metal cover on
- 1 mounting holes is provided in solenoid valve body
- Pipe connections (G) have standard combination thread according to ISO 228/1 and ISO 7/1
- Spare parts kits and replacement coils are available

DIMENSIONS (mm), WEIGHT (kg)

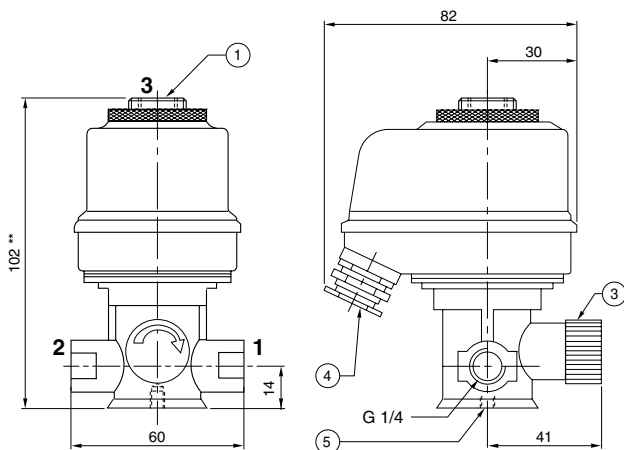


NC version



Function 3/2 NO and U

NO and U version



- ① Fitting: G 1/4 on U and NO versions
 - ② Exhaust cover on NF version
 - ③ Button-type manual operator
 - ④ Cable entry: Pg 11M
 - ⑤ Mounting: one M5 hole, depth 7
- ** + 45 mm for plug removal

function	weight (1)
NC	0,810
NO	0,800
U	0,800

(1) Incl. coil