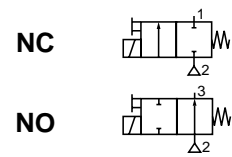


# SOLENOID VALVES

normally closed or normally open  
direct operated  
1/4



## FEATURES

- Solenoid valve fitted with metal cover, degree of protection IP65, for harsh industrial environments
- Rugged construction for high pressures
- Manual operator as standard
- The solenoid valves comply with all applicable EC Directives

## GENERAL

Differential pressure	0 to 40 bar [1 bar = 100 kPa]
Ambient temperature range	-10°C to + 40°C
Maximum viscosity	40 cSt (mm <sup>2</sup> /s)
Response time	10 - 20 ms

fluids (*)	temperature range (TS)	seal materials (*)
water, air, inert gas, oil	- 10°C to + 80°C	NBR (nitrile)



## MATERIALS IN CONTACT WITH FLUID

(\*) Ensure that the compatibility of the fluids in contact with the materials is verified

Body	Brass
Internal parts	Stainless steel
Spring	Stainless steel
Seat	Brass
Seals	NBR
Shading coil	Copper

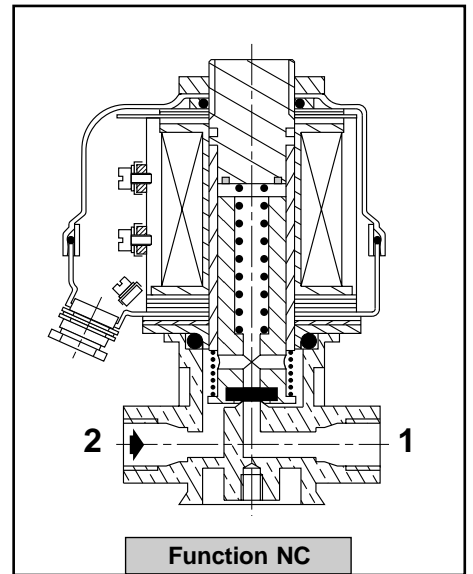
## OTHERS MATERIALS

Solenoid head Metal cover protection IP 65

## ELECTRICAL CHARACTERISTICS

Coil insulation class	E
Coil connection	Screw terminals (1)
Cable entry	Cable gland (Pg 11M)
Electrical safety	IEC 335
Standard voltages	DC (=) : 24V - 48V
(Other voltages and 60 Hz on request)	AC (-) : 24V - 48V - 115V - 230V / 50 Hz

coil type	nominal power ratings				ambient temperature range (TS) (°C)	construction coil
	inrush		holding			
	~ (VA)	(VA)	~ (W)	= (W)		
screws-12W/8W	75	22	12	8	- 10 to + 40	wrapped



## SPECIFICATIONS

pipe size	orifice size	flow coefficient Kv		operating pressure differential (bar)				coil type	(M)	catalogue number (~ / =)		references	
				maximum (PS)						~	=		
				air (*)		water/oil (*)							
(G*)	(mm)	(m <sup>3</sup> /h)	(l/min)	min.	~	=	~	=	~ / =	~	=		
<b>NC - normally closed</b>													
1/4	1,5	0,08	1,3	0	40	40	40	25	screws	×	12100001	12100004	MB201/O-1,5
										■	12100002	12101072	
	3	0,21	3,5	0	25	10	25	7	screws	×	12100222	12100225	MB201/O-3
										■	12100224	12100227	
5	0,36	6	0	10	3,5	8	3	screws	×	12100022	12100027	MB201/O-5	
									■	12100023	12100028		
6	0,48	8	0	5,5	2	4,5	1,5	screws	×	12100032	12100035	MB201/O-6	
									■	12100033	12100036		
<b>NO - normally open</b>													
1/4	1,5	0,08	1,3	0	40	40	40	25	screws	×	12100042	12100064	MB201/F-1,5
										■	12100043	12101073	
	3	0,21	3,5	0	12	12	10	10	screws	×	12100047	12100050	MB201/F-3
									■	12100048	12100780		
5	0,36	6	0	4	4	4	4	screws	×	12100057	12100060	MB201/F-5	
									■	12100058	12100970		

(M) Manual operator: X: without ■: button

(1) Earth terminal inside the casing.

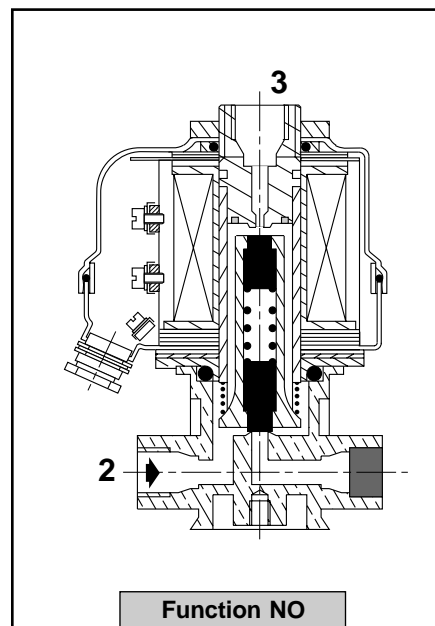
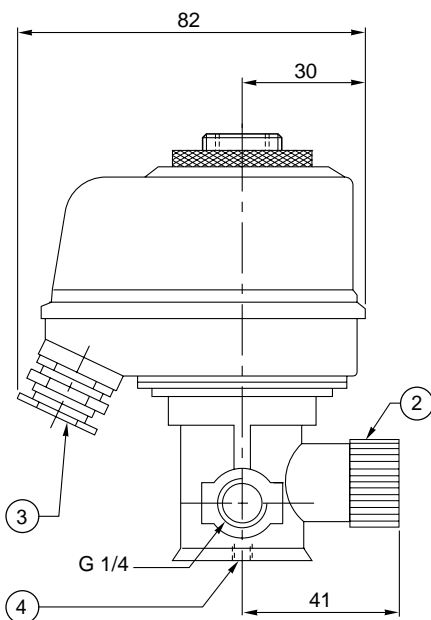
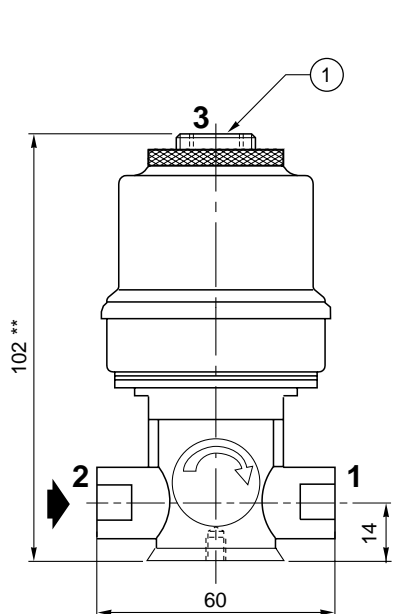
**OPTIONS**

- Flameproof enclosure, EEx d, for potentially explosive atmospheres according to "ATEX/CENELEC"
- Coils class B, H
- Seals FPM (fluoroelastomer)
- Chromium plating, marine painting/anti-corrosive environment
- Oxygen service, catalogue number **970500**
- Impulse type manual operator
- Pad mounting version 2/2 NC

**INSTALLATION**

- The solenoid valves can be mounted in any position, **except solenoid head downward**
- Energizing must always be done with the metal cover on
- 1 mounting hole is provided in solenoid valve body
- Pipe connections (G) have standard combination thread according to ISO 228/1 and ISO 7/1
- Spare parts kits and replacement coils are available

**DIMENSIONS (mm), WEIGHT (kg)**



function	weight (1)
NC	0,810
NO	0,795

(1) incl . coil

- ① G 1/4 function NO
- ② Button manual operator
- ③ Cable entry: Pg 11M (earth terminal inside the casing)
- ④ Mounting: 1 hole Ø M5, depth 7

\*\* + 45 mm for plug removal