

### FEATURES

- Compact and low weight valve enabling easy installation
- AC/DC interchangeability of the solenoid head without any need for disassembly of the valve
- The solenoid valves satisfy all relevant EC directives

### GENERAL

**Differential pressure** See «SPECIFICATIONS» [1 bar = 100 kPa]  
**Maximum viscosity** 40 cSt (mm<sup>2</sup>/s)  
**Response time** 5 - 10 ms

fluids (*)	temperature range (TS)	seal materials (*)
air, inert gas, water, oil	- 10°C to + 80°C	NBR (nitrile)
	- 10°C to + 130°C	FPM (fluoroelastomer)

### MATERIALS IN CONTACT WITH FLUID

(\*) Ensure that the compatibility of the fluids in contact with the materials is verified

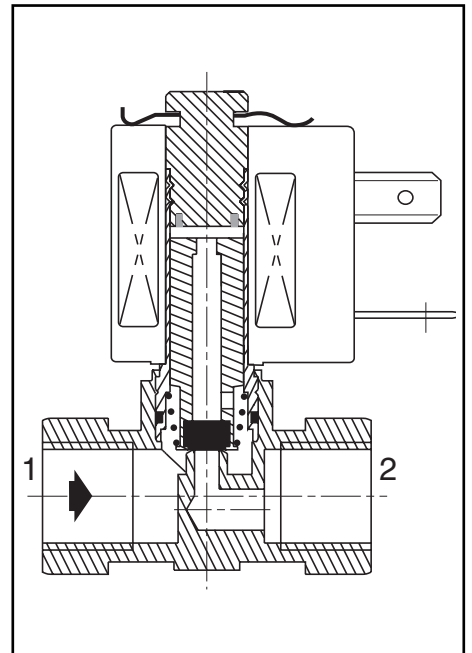
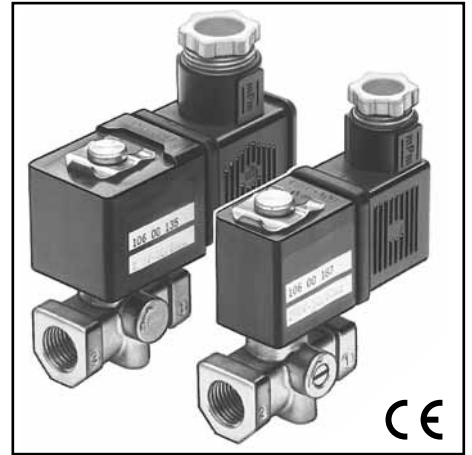
<b>Body</b>	Brass
<b>Core tube</b>	Stainless steel
<b>Internal parts</b>	Stainless steel
<b>Springs</b>	Stainless steel
<b>Seats</b>	Brass
<b>Seals</b>	NBR or FPM
<b>Shading coil</b>	Copper

### ELECTRICAL CHARACTERISTICS

**Coil insulation class** F  
**Connector** Spade plug (cable Ø 6-10 mm)  
**Connector specification** DIN 43650, 11 mm, industry standard B (type 01) or ISO 4400 / EN 175301-803, form A (type 02)  
**Electrical safety** IEC 335  
**Electrical enclosure protection** Moulded IP65 (EN 60529)  
**Standard voltages** DC (-): 24V - 48V  
 (Other voltages and 60 Hz on request) AC (~): 24V - 48V - 115V - 230V / 50 Hz

-	power ratings				operator ambient temperature range (TS) (C°)	replacement coil		type <sup>(1)</sup>
	inrush ~	holding ~	hot/cold =			~	=	
	(VA)	(VA)	(W)	(W)		230 V/50 Hz	24 V DC	
-	12	6	4	5 / 6,9	-10 to + 60	43004155	43004158	01
-	15	7	5	5 / 6,9	-10 to + 60	43004649	43004647	02

<sup>(1)</sup> Refer to the dimensional drawings on the following page.



### SPECIFICATIONS

pipe size	orifice size	flow coefficient Kv		operating pressure differential (bar)								power coil (W)		catalogue number		
				min.	max. (PS)				~	=	~			=	NBR	FPM
					air (*)		water/oil (*)									
(G*)	(mm)	(m <sup>3</sup> /h)	(l/min)		~	=	~	=	~	=	~	=	~	~		
<b>NC - Normally closed, with maintained manual operator</b>																
1/4	1	0,04	0,6	0	20	20	20	20	4	6,9	<b>10600186</b>	<b>10600191</b>				
	1,5	0,07	1,12	0	20	12	20	12	4	6,9	<b>10600187</b>	<b>10600192</b>				
					20	15	20	15	5	6,9	<b>10600257</b>	<b>10600259</b>				
	2,5	0,17	2,85	0	10	4	10	4	4	6,9	<b>10600189</b>	<b>10600194</b>				
14					7	14	7	5	6,9	<b>10600258</b>	<b>10600260</b>					
<b>NC - Normally closed, without manual operator</b>																
1/4	4	0,30	5	0	5	1,5	5	1,5	5	6,9	<b>10600135</b>	<b>10600142</b>				
	5	0,39	6,5	0	3	1	3	1	5	6,9	<b>10600136</b>	<b>10600143</b>				

### OPTIONS

- Explosionproof enclosures for use in zones 1/21-2/22, categories 2-3 to ATEX Directive 94/9/EC (see "Explosionproof solenoids" section)
- Oxygen service, used option catalogue number: **970517**
- Other pipe connections are available on request
- Plug with visual indication and peak voltage suppression or with cable length of 2 m (see Solenoids, Coils & Accessories section)

### INSTALLATION

- The solenoid valves can be mounted in any position without affecting operation
- Solenoid valves have 2 mounting holes in body
- Pipe connections (G\*) have standard combination thread according to ISO 228/1 and ISO 7/1
- Installation/maintenance instructions are included with each valve

### ORDERING EXAMPLES:

10600186	230V / 50 Hz
10600191	115V / 50 Hz
10600192	24V / DC
10600135	230V / 50 Hz

basic number \_\_\_\_\_ voltage \_\_\_\_\_  
 \_\_\_\_\_ options \_\_\_\_\_

### DIMENSIONS (mm), WEIGHT (kg)

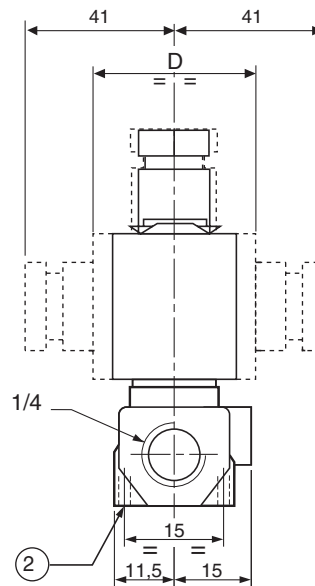
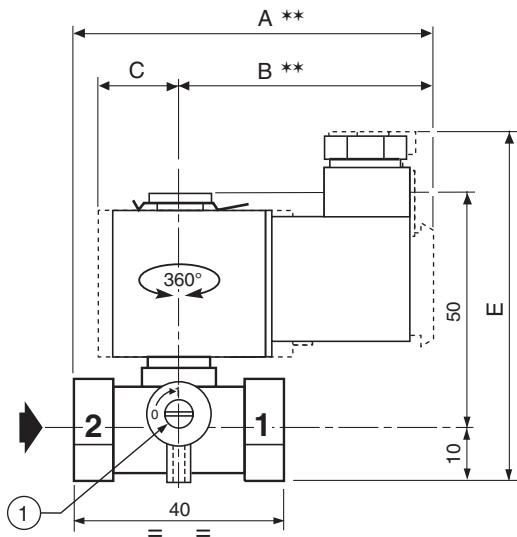


#### TYPE 01-02

Epoxy moulded  
IEC 335  
DIN 43650 or ISO 4400  
IP65

Type 01: 10600186/187/189/191/192/194

Type 02: 10600257/258/135/136/259/260/142/143



type	A	B	C	D	E	weight <sup>(1)</sup>
01	68	49	11	22	79	0,170
02	76	56	15	30	83	0,230

<sup>(1)</sup> Incl. coil(s) and connector(s)

① Manual operator location (Except 4 and 5 mm dia.)

② 2 mounting holes Ø M4, depth 5 mm