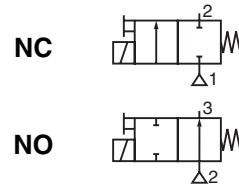




MINI-SOLENOID VALVES

ISO 15218 (CNOMO, size 15) interface
direct operated, pad mounting body
connector size 15



2/2
Series
302

FEATURES

- **Low power consumption (0,5 W)**
- Compact, monobloc solenoid pilot valve with spade-plug connector type DIN 43650, industry standard B, with 9,4 mm spacing, or to ISO 15217/DIN 43650 form C, with 8 mm spacing
- Version with or without integral LED and electrical protection. LED indicator visible from 3 sides
- The solenoid valves satisfy all relevant EC directives

GENERAL

Differential pressure See «SPECIFICATIONS» [1 bar = 100 kPa]
Pneumatic base ISO 15218 (CNOMO E06.36.120N, size 15)
Connection Subbase
Response time 8 - 15 ms

fluids (*)	temperature range (TS)	seal materials (*)
air or inert gas filtered at 50 µm, lubricated or not	- 10°C to + 50°C (LP1) ⁽¹⁾	NBR (nitrile) FPM (fluoroelastomer)
	- 25°C to + 60°C (LP2) ⁽¹⁾	
	- 25°C to + 60°C / +50°C (LP3) ⁽¹⁾	

⁽¹⁾ LP1, LP2, LP3: see "electrical characteristics" table

MATERIALS IN CONTACT WITH FLUID

(*) Ensure that the compatibility of the fluids in contact with the materials is verified

Body PAA
Internal parts POM, PET, stainless steel and brass
Seals NBR (disc), FPM (others)
Pneumatic interface seal TPE

OTHER MATERIALS

Coil Thermoplastic PET

ELECTRICAL CHARACTERISTICS

Coil insulation class F
Connector Spade plug (cable Ø 4-6 mm)
Connector specification DIN 43650, 9,4 mm, industry standard B or ISO 15217 / DIN 43650, 8 mm, form C IEC 335
Electrical safety Moulded IP65 (EN 60529)
Electrical enclosure protection DC (=) : 12V - 24V
Standard voltages AC (~) : 24V - 115V - 230V / 50-60 Hz
 (Other voltages on request)

power ranges	coils		power ratings (↔)				operator ambient temperature range ⁽⁴⁾ (TS) (°C)	type ⁽²⁾
	voltages (V)		inrush	holding	hot/cold			
	~	=	(VA)	(VA)	(W)	(W)		
LP1	-	24	-	-	-	0,5 / 0,55	-10 to + 50	01
LP2	24-115	12-24	1,4	1,2	1,1	1 / 1,2	-25 to + 60	
LP3	230	24	2,1	1,6	1,5	2 / 2,65	-25 to +60 (~)/+50 (=) ⁽³⁾	

(↔) Nominal power ratings of versions without LED indicator and electrical protection.

For versions with LED indicator and electrical protection, add:
 0,15 W with DC (=)
 0,4 W / VA with AC (~)

⁽²⁾ Refer to the dimensional drawings on the following page..

⁽³⁾ With LED, see page 6.

⁽⁴⁾ For joinable subbase mounting, see page 6.

SPECIFICATIONS (version NO, following page)

orifice size (mm)	flow at 6 bar l/min (ANR)		coefficient Kv		operating pressure differential (bar)		power ranges	basic catalogue number			
	1 → 2	2 → 3	1 → 2	2 → 3	min.	max. (PS)		manual operator		maintained	
								impulse	=	~	=
NC - Normally closed											
0,6	11	-	0,11	-	0	8	LP1	-	3021X004	-	3021X005
					0	10	LP2	3021X007	3021X007	3021X008	3021X008
0,8	17	-	0,22	-	0	8	LP2	3021X010	3021X010	3021X011	3021X011
					0	5	LP2	3021X016	3021X016	3021X017	3021X017
1,1	32	-	0,35	-	0	10	LP3	3021X019	3021X019	3021X020	3021X020
					0	3	LP2	3021X022	3021X022	3021X023	3021X023
1,5	39	-	0,50	-	0	6	LP3	3021X025	3021X025	3021X026	3021X026
					0	6	LP3	3021X025	3021X025	3021X026	3021X026

When ordering, please specify in addition to the basic catalogue number:

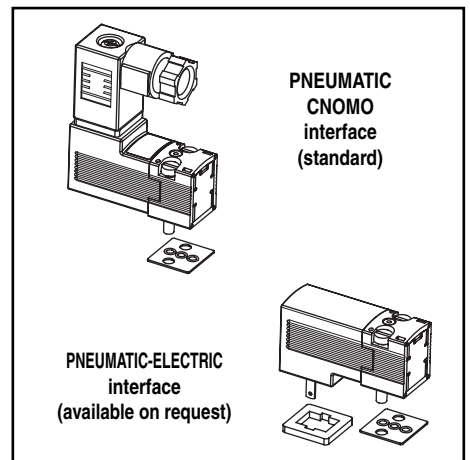
- the type of current: voltage / frequency
- the version: with or without connector

	~	=	} to be inserted after the basic catalogue number
with connector	--A	--D	
without connector	--L	--P	

Examples: • with connector 24V DC: **30211004--D** 24V DC
 • without connector 24V DC: **30210004--P** 24V DC

X	
0	connection ISO 15217/DIN 43650, 8 mm, form C
1	connection DIN 43650, 9,4 mm, industry standard B
4	connection ISO 15217/DIN 43650, 8 mm, form C + LED and protection ⁽⁵⁾
5	connection DIN 43650, 9,4 mm, industry standard B + LED and protection ⁽⁵⁾

⁽⁵⁾ Only available in 24 V AC/DC and 115 V AC.



SPECIFICATIONS - NO

orifice size (mm)	flow at 6 bar l/min (ANR)		coefficient Kv		operating pressure differential (bar)		power ranges	basic catalogue number			
	1 → 2	2 → 3	1 → 2	2 → 3	min.	max. (PS)		manual operator		maintained	
								impulse	=	~	=
NO - Normally open											
0,8	-	20	-	0,26	0	8	LP1	-	3021X028	-	3021X029
					0	10	LP2	3021X031	3021X031	3021X032	3021X032
1	-	28	-	0,35	0	10	LP2	3021X034	3021X034	3021X035	3021X035
					0	5	LP2	3021X037	3021X037	3021X038	3021X038
1,5	-	53	-	0,56	0	10	LP3	3021X040	3021X040	3021X041	3021X041
					0	10	LP3	3021X040	3021X040	3021X041	3021X041

When ordering, please specify in addition to the basic catalogue number:

- the type of current: voltage / frequency
- the version: with or without connector

	~	=
with connector	--A	--D
without connector	--L	--P

to be inserted after
the basic catalogue number

- Examples:
- with connector 24V DC: **30211028--D** 24V DC
 - without connector 24V DC: **30210028--P** 24V DC

X	
0	connection ISO 15217/DIN 43650, 8 mm, form C
1	connection DIN 43650, 9,4 mm, industry standard B
4	connection ISO 15217/DIN 43650, 8 mm, form C + LED and protection ⁽⁵⁾
5	connection DIN 43650, 9,4 mm, industry standard B + LED and protection ⁽⁵⁾

OPTIONS AND ACCESSORIES

- Seals and disc made of FPM (fluoroelastomer)
- Version without manual operator
- Version with pneumatic-electric interface
- Connector ISO 15217 / DIN 43650, 8 mm, form C:
 - standard: catalogue number **88130211**
 - with cable 2 m length: catalogue number **88130214**
- Connector DIN 43650, 9,4 mm, industry standard B:
 - standard: catalogue number **88143581**
 - with cable 2 m length: catalogue number **88143567**
- Explosionproof enclosures for use in zones 0/20-1/21-2/22, categories 1-2-3 to ATEX Directive 94/9/EC (see "Explosionproof solenoids" section)

INSTALLATION

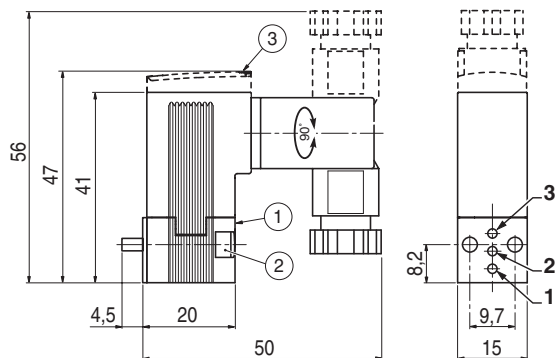
- The solenoid valves can be mounted in any position without affecting operation
- Solenoid valve supplied with mounting screws and mounting pad seal(s)
- Installation/maintenance instructions are included with each valve

DIMENSIONS (mm), WEIGHT (kg)



TYPE 01

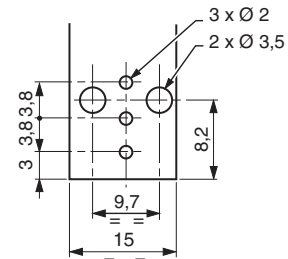
Epoxy moulded
IEC 335 / DIN 43650
IP65



function	connection		
	1	2	3
NC	P	O	-
NO	-	P	U

P: Pressure
U: Outlet

Subbase mounting surface: ISO 15218
(CNOMO E06.36.120N, size 15)



- ① Manual operator location
- ② 2 mounting screw M3 x 20
- ③ Version with LED and electrical protection

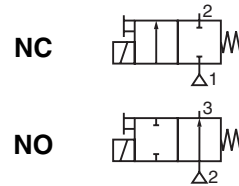
weight ⁽¹⁾
0,047

⁽¹⁾ with standard connector.



MINI-SOLENOID VALVES

ISO 15218 (CNOMO, size 15) interface
direct operated, pad mounting body
connection M12 or with cable ends



2/2
Series
302

FEATURES

- **Low power consumption (0,65 W)**
- **Compact, monobloc solenoid pilot valve with M12 connector or cable ends**
- **Version with integral LED indicator and electrical protection.**
LED indicator visible from 3 sides
- **The solenoid valves satisfy all relevant EC directives**

GENERAL

Differential pressure See «SPECIFICATIONS» [1 bar = 100 kPa]
Pneumatic base ISO 15218 (CNOMO E06.36.120N, size 15)
Connection Subbase
Response time 8 - 15 ms

fluids (*)	temperature range (TS)	seal materials (*)
air or inert gas	- 10°C to + 50°C (LP1) ⁽¹⁾	NBR (nitrile)
filtered at 50 µm, lubricated or not	- 25°C to + 60°C (LP2) ⁽¹⁾	FPM (fluoroelastomer)

⁽¹⁾ LP1, LP2: see "electrical characteristics" table

MATERIALS IN CONTACT WITH FLUID

(*) Ensure that the compatibility of the fluids in contact with the materials is verified

Body PAA
Internal parts POM, PET, stainless steel and brass
Pneumatic interface seal TPE

OTHER MATERIALS

Coil Thermoplastic PET

ELECTRICAL CHARACTERISTICS

Coil insulation class F
Connection Connector M12 or cable ends
Electrical safety IEC 335
connector M12 CNOMO E03.62.520.N
cable ends EN 60730

Electrical enclosure protection Moulded IP67 (EN 60529)
Standard voltages DC (=) : 24V

power ranges	coils		power ratings (↔)			operator ambient temperature range ⁽³⁾ (TS) (°C)	type ⁽²⁾
	voltages (V)		inrush	holding	hot/cold		
	~	=	~	~	=		
LP1	-	24	-	-	-	0,65 / 0,7	-10 to + 50
LP2	-	24	-	-	-	1,15 / 1,35	-25 to + 60

⁽²⁾ Refer to the dimensional drawings on the following page.

⁽³⁾ For joinable subbase mounting, see page 6.

SPECIFICATIONS

orifice size	flow				operating pressure differential (bar)		power ranges	basic catalogue number	
	at 6 bar l/min (ANR)		coefficient Kv		min.	max. (PS)		manual operator	
(mm)	1 → 2	2 → 3	1 → 2	2 → 3				impulse	maintained
NC - Normally closed									
0,6	11	-	0,11	-	0	8	LP1	3021X004	3021X005
					0	10	LP2	3021X007	3021X008
0,8	17	-	0,22	-	0	8	LP2	3021X010	3021X011
1,1	32	-	0,35	-	0	5	LP2	3021X016	3021X017
1,5	39	-	0,50	-	0	3	LP2	3021X022	3021X023
NO - Normally open									
0,8	-	20	-	0,26	0	8	LP1	3021X028	3021X029
					0	10	LP2	3021X031	3021X032
1	-	28	-	0,35	0	10	LP2	3021X034	3021X035
1,5	-	53	-	0,56	0	5	LP2	3021X037	3021X038

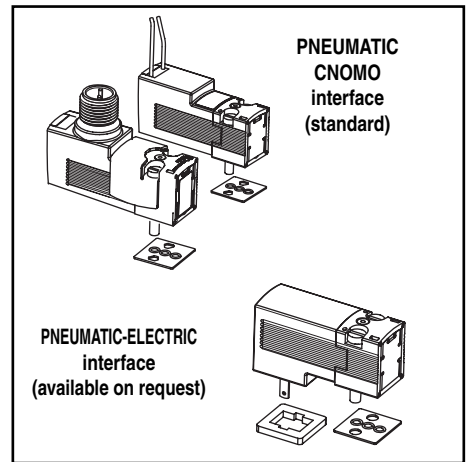
When ordering:

	M12	cable
with connector	--D	<input checked="" type="checkbox"/>
without connector	--P	<input checked="" type="checkbox"/>
complete	<input checked="" type="checkbox"/>	--D

to be inserted after the basic catalogue number

X	
2	connection M12 + LED and protection
3	cable ends + LED and protection

Examples: • M12 without connector : **30212104--P**
• cable ends : **30213107--D**



(↔) Nominal power ratings of standard versions (with LED indicator and electrical protection)

OPTIONS AND ACCESSORIES

- Seals and disc made of FPM (fluoroelastomer)
- Version without manual operator
- Version with pneumatic-electric interface
- Straight M12 connector:
 - cable entry Ø4 to 6mm: catalogue number **88100304** (mounting only on single subbase)
 - with cable 2 m length: catalogue number **88100726**
 - with 5 m cable length: catalogue number **88130212**
- Explosionproof enclosures for use in zones 0/20-1/21-2/22, categories 1-2-3 to ATEX Directive 94/9/EC (see "Explosionproof solenoids" section)

INSTALLATION

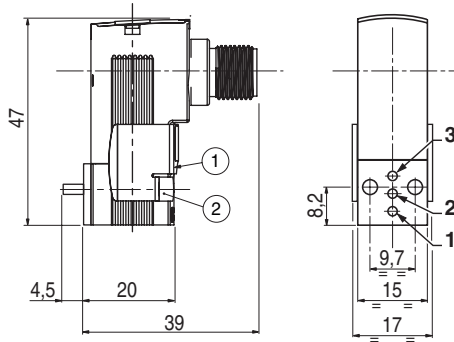
- The solenoid valves can be mounted in any position without affecting operation
- Solenoid valve supplied with mounting screws and mounting pad seal(s)
- Installation/maintenance instructions are included with each valve

DIMENSIONS (mm), WEIGHT (kg)



TYPE 01

Epoxy moulded
IEC 335 / connector M12
IP67



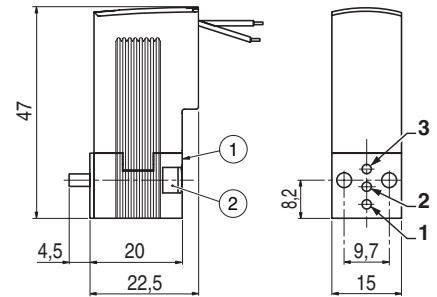
function	connection		
	1	2	3
NC	P	O	-
NO	-	P	U

P: Pressure
O: Outlet



TYPE 02

Epoxy moulded
IEC 335 / cable ends 0,3 m length
IP67

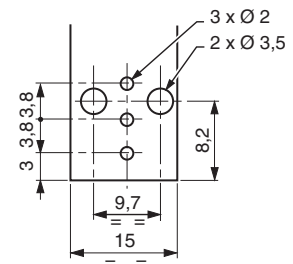


- ① Manual operator location.
- ② 2 mounting screw M3 x 20

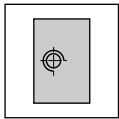
Subbase mounting surface: ISO 15218
(CNOMO E06.36.120N, size 15)

weight	
M12 ⁽¹⁾	cable ends
0,049	0,040

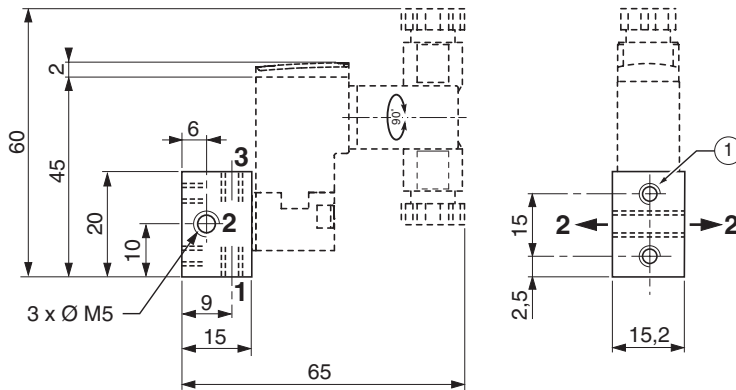
⁽¹⁾ Without connector



DIMENSIONS (mm), WEIGHT (kg)



Single subbase Aluminium or brass

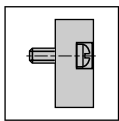


① Mounting: 2 holes M3, depth 4,5

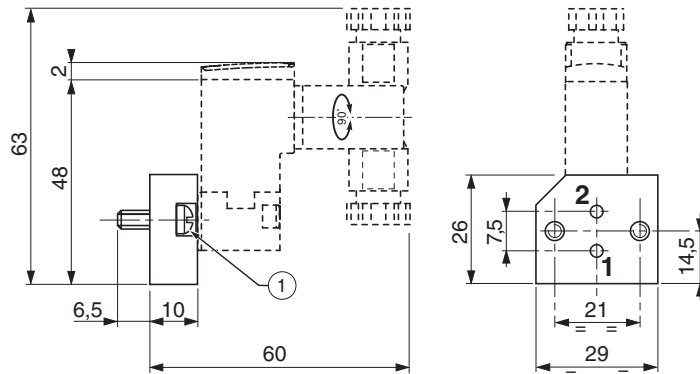
Orifice (2) can be connected on the left or on the right of the subbase.

material	catalogue number	weight ⁽¹⁾
aluminium	88263002	0,011
brass	30300001	0,034

⁽¹⁾ subbase alone



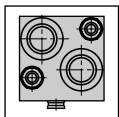
Adapter CNOMO size 30 (only for NC version) Aluminium



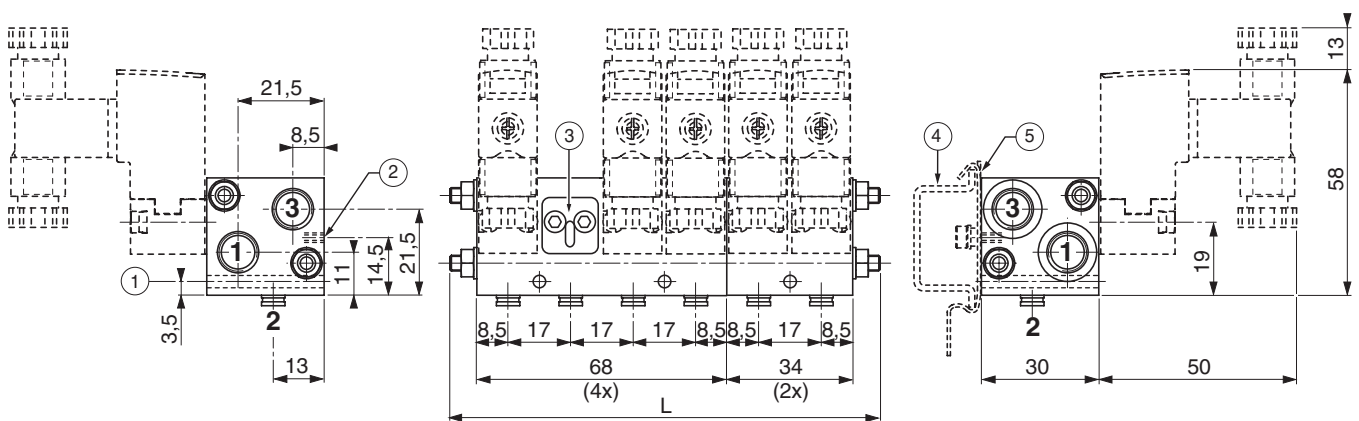
① Mounting: 2 screws M4 x 10 (supplied)

catalogue number	weight ⁽²⁾
88263001	0,018

⁽²⁾ adapter alone



Joinable subbases Aluminium



Ports 1 and 3: G1/8

Port 2: coupling for 4mm OD tube

- ① Fixing hole Ø 3,2 (2 for 4x ; 1 for 2x)
- ② Fixing hole M3, depth 8 (2 for 4x ; 1 for 2x)
- ③ Mating surface blanking plates (option)
- ④ TS35 DIN rail (not supplied)
- ⑤ Clip for DIN rail mounting (option)

catalogue number	x	subbases	L	weight ⁽³⁾
35500564	2	2x	-	0,076
35500565	4	4x	-	0,148
35500566	6	4x + 2x	114	0,236
35500567	8	4x + 4x	148	0,313
35500568	10	4x + 4x + 2x	182	0,389
35500569	12	4x + 4x + 4x	216	0,466

⁽³⁾ subbases alone

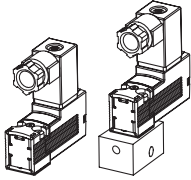
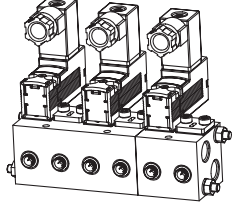
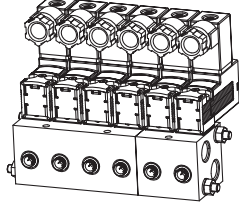
x = place for mini-solenoid valves.

2 plugs R1/8 supplied.

OPTIONS AND ACCESSORIES

- Additional subbase with 2 places (with seals): catalogue number **35500570**
- 2 tie-rods + nuts for a subbase with:
 4 places: catalogue number **88100752**
 6 places: catalogue number **88100753**
 8 places: catalogue number **88100754**
 10 places: catalogue number **88100755**
 12 places: catalogue number **88100756**
- Mounting kit for DIN rail (2 clips + screws + washers): catalogue number **88100757**
- Mating surface blanking plate: catalogue number **88130203**

AMBIENT TEMPERATURE RANGES

current type	power range	power coil		version			
		inrush/holding (VA) ~	hot/cold (W) =				
DC (=)	LP1 ⁽¹⁾	-	0,5/0,55	standard	-10°C ; +50°C	-10°C ; +50°C	
		-	0,65/0,7	LED + protection			
	LP2 ⁽¹⁾	-	1/1,2	standard	-25°C ; +60°C	-25°C ; +60°C	
		-	1,15/1,35	LED + protection		-25°C ; +40°C	
	LP3 ⁽²⁾	-	2/2,65	standard	-25°C ; +50°C	-25°C ; +40°C	
		-	2,15/2,8	LED + protection	-25°C ; +40°C	-	
AC (~)	LP2 ⁽²⁾	1,4/1,2	-	standard	-25°C ; +60°C	-25°C ; +40°C	
		1,8/1,6	-	LED + protection			
	LP3 ⁽²⁾	2,1/1,6	-	standard	-25°C ; +60°C	-25°C ; +40°C	
		2,5/2	-	LED + protection	-25°C ; +50°C	-	

⁽¹⁾ Voltage: -15% / +20%

⁽²⁾ Voltage: -15% / +10%