

FEATURES

- Compact size and light weight simplify assembly on single or joinable subbases
- AC/DC interchangeability of the solenoid without disassembly of the valve
- Flexible installation on joinable subbases
- Manual operation allows an easy installation
- The solenoid valves satisfy all relevant EC directives

GENERAL

Differential pressure See «SPECIFICATIONS» [1 bar = 100 kPa]
Maximum viscosity 40 cSt (mm²/s)
Response time 5 - 10 ms

fluids (*)	temperature range (TS)	seal materials (*)
air, inert gas, water, oil	- 10°C to + 80°C	NBR (nitrile) FPM (fluoroelastomer)

MATERIALS IN CONTACT WITH FLUID

(*) Ensure that the compatibility of the fluids in contact with the materials is verified

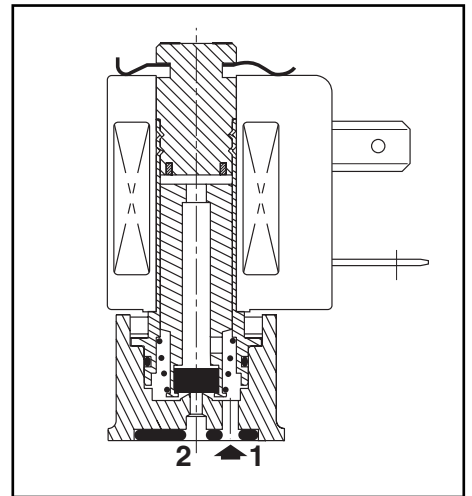
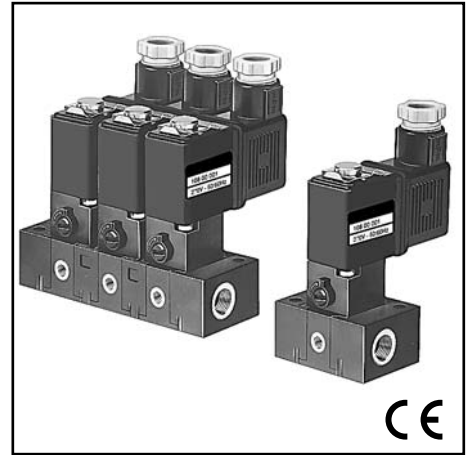
Body and subbases PPS
Core tube Brass
Internal parts, springs Stainless steel
Seals NBR or FPM
Subbase seals FPM
Shading coil Copper

ELECTRICAL CHARACTERISTICS

Coil insulation class F
Connector Spade plug (cable Ø 6-8 mm)
Connector specification DIN 43650, 11 mm, industry standard B
Electrical safety IEC 335
Electrical enclosure protection Moulded IP65 (EN 60529)
Standard voltages DC (=) : 24V - 48V
 (Other voltages and 60 Hz on request) AC (~) : 24V - 48V - 115V - 230V / 50 Hz

power ratings				operator ambient temperature range (TS)	replacement coil		type ⁽¹⁾
inrush ~	holding ~	hot/cold =	~		=		
(VA)	(VA)	(W)	(W)	(C°)	230 V/50 Hz	24 V DC	
6	3,5	2,5	2,5 / 3	-10 to +60	43004422	43004166	01

⁽¹⁾ Refer to the dimensional drawings on the following page.



SPECIFICATIONS

pipe size	orifice size	flow coefficient Kv		operating pressure differential (bar)				power coil (W)		catalogue number		
				min.	max. (PS)		with maintained manual operator					
					air (*)	water/oil (*)				NBR	FPM	
	(mm)	(m ³ /h)	(l/min)		~	=	~	=	~/=	~/=		
NC - Normally closed												
pad mounting	1	0,02	0,4	0	16	16	16	16	2,5	3	10800001	10800004
	1,5	0,04	0,7	0	12	4	12	4	2,5	3	10800016	10800019
	2,5	0,06	1	0	4,5	2	4,5	2	2,5	3	10800003	10800006

SUBBASES ⁽²⁾

pipe size	mounting type	designation	composition	catalogue number
6/6 polyamide subbases				
M5 subbases G 1/8 ends	Individual mounting	Single subbase + two ends. Pressure to right, G 1/8		36100009
	Assembly of 2 to 10 joinable subbases ⁽⁴⁾	1 joinable subbase		36100004
		Set of 2 joinable subbases with ends. Pressure to right, G 1/8		36100005
		Set of 2 joinable subbases with ends. Pressure to right and/or left, G 1/8		36100032 ⁽³⁾

⁽²⁾ These subbases can be mounted on symmetrical rail to EN 50022, AFNOR NF C 63015, using 2 clips (clips: catalogue number 33400036, pack of 10).

⁽³⁾ Used for two different pressures, delivered with 1 plug to be put in the right place.

⁽⁴⁾ Maximum number of solenoid valves which can operate simultaneously on joinable subbases: Ø 1 mm: 10, Ø 1,5 mm: 5, Ø 2,5 mm: 3.

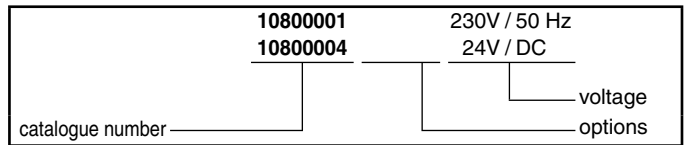
OPTIONS

- Explosionproof enclosures for use in zones 1/21-2/22, categories 2-3 to ATEX Directive 94/9/EC (see "Explosionproof solenoids" section)
- Compliance with "UL", "CSA" standards are available
- Magnetic latch execution with 1,5 and 2,5 dia. (see "Solenoids, coils & accessories" section)
- Oxygen service, used option catalogue number: **970517**
- Plug with visual indication and peak voltage suppression or with cable length of 2 m (see Solenoids, Coils & Accessories section)

INSTALLATION

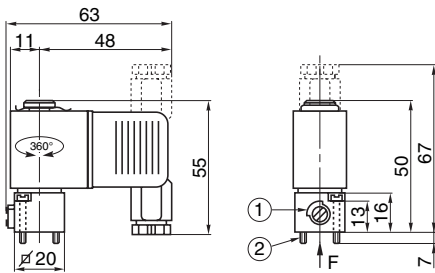
- The solenoid valves can be mounted in any position without affecting operation
- Mounting on single or joinable subbases
- ATEX 94/9/EC versions can be installed on single subbases (all versions) or joinable zamak subbases (options "SCDU" and "PV")
- Pipe connections 1/8 have standard thread according to ISO 228/1
- Installation/maintenance instructions are included with each valve

ORDERING EXAMPLES:

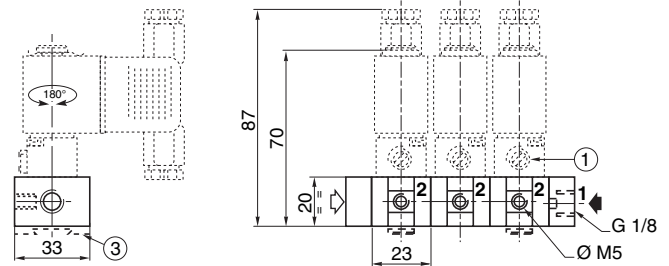


DIMENSIONS (mm), WEIGHT (kg)

TYPE 01
Prefix "SC" Solenoid
IEC 335 / DIN 43650
IP65
weight : 0,100
10800001 / 03 / 04 / 06 / 16 / 19

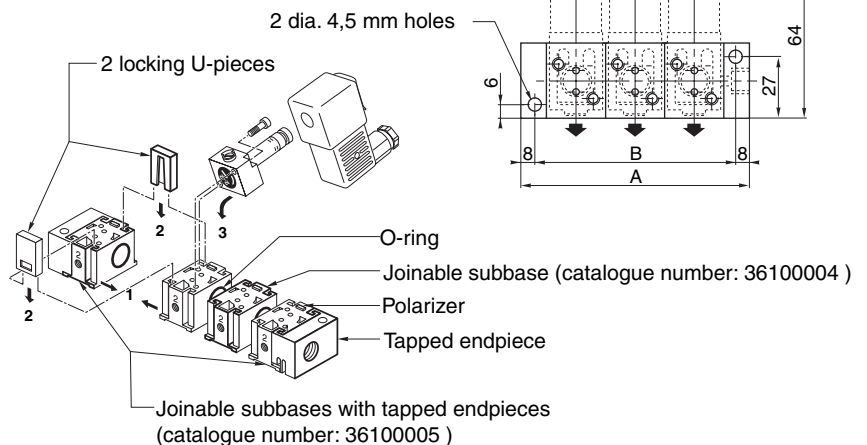
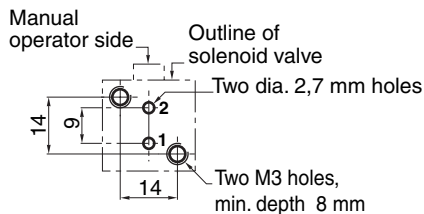
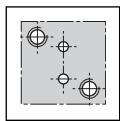


JOINABLE SUBBASE G 1/8
PPS
36100005 / 36100032



- ① Manual operator location
- ② 2 M3 x 20 screws
- ③ Clips

SUBBASE MOUNTING PATTERN



number of subbases	A	B	weight ⁽¹⁾
2	72	56	0,300
3	95	79	0,420
4	118	102	0,540
5	141	125	0,660
6	164	148	0,780
+1	+23	+23	+0,120

⁽¹⁾ including coils, connectors and joinable endpieces.