

### FEATURES

- The solenoid valves will withstand the severe service encountered in controlling cryogenic fluids, such as liquid oxygen (-183°C), liquid argon (-186°C) and liquid nitrogen (-196°C)
- Hung piston construction
- Valves do not require a minimum operating pressure
- Reliable control in low pressure, high flow systems
- All valves are degreased, cleaned, tested and packed to keep them free from moisture. In addition liquid oxygen (LOX) valves are "black light" tested to check for any hydrocarbons
- The solenoid valves satisfy all relevant EC directives

### GENERAL

**Differential pressure** 0 - 9 bar [1 bar = 100 kPa]  
**Response times** 75 - 100 ms

fluids (*)	temperature range (TS)	seal materials (*)
cryogenic fluids	- 196°C to + 90°C	PTFE

### MATERIALS IN CONTACT WITH FLUID

(\*) Ensure that the compatibility of the fluids in contact with the materials is verified

<b>Body</b>	Brass
<b>Core tube</b>	Stainless steel
<b>Core and plugnut</b>	Stainless steel
<b>Springs</b>	Stainless steel
<b>Piston</b>	Brass
<b>Seat</b>	Brass
<b>Seals</b>	PTFE
<b>Piston rings</b>	PTFE carbon filled
<b>Core disc</b>	PTFE reinforced
<b>Piston disc</b>	PTFE
<b>Shading coil</b>	Copper

### ELECTRICAL CHARACTERISTICS

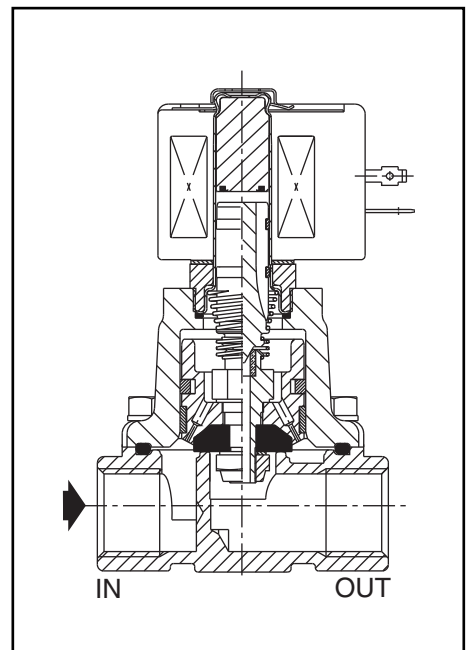
<b>Coil insulation class</b>	H
<b>Connector</b>	Spade plug (cable Ø 6-10 mm)
<b>Connector specification</b>	ISO 4400 / EN 175301-803, form A
<b>Electrical safety</b>	IEC 335
<b>Electrical enclosure protection</b>	Moulded IP65 (EN 60529)
<b>Standard voltages</b>	DC (=) : Contact us
(Other voltages and 60 Hz on request)	AC (-) : 24V - 48V - 115V - 230V / 50 Hz

prefix option	power ratings				operator ambient temperature range (TS) (C°)	replacement coil		type <sup>(1)</sup>
	inrush ~	holding ~	hot/cold =	=		~	=	
	(VA)	(VA)	(W)	(W)		230 V/50 Hz	-	
SC	78	35	16,7	-	-20 to + 50	400426-517	-	01

<sup>(1)</sup> Refer to the dimensional drawings on the following page.

### SPECIFICATIONS

pipe size	orifice size	flow coefficient Kv		operating pressure differential (bar)			power coil (W)		catalogue number	options			
				min.	max. (PS)					maintained	man. operator		
					cryogenic fluids (*)								
Rp	(mm)	(m³/h)	(l/min)				~	=	~				
<b>NC - Normally closed</b>													
1/2	16	3,3	55	0	9	9	16,7	-	SCE222E002LT	MO	-	-	-
3/4	19	5,1	85	0	9	9	16,7	-	SCE222F003LT	MO	-	-	-



H

### OPTIONS

- Waterproof enclosure with embedded screw terminal coil according to protection class IP67, CEE-10
- Compliance with "UL", "CSA" and other local approvals available on request
- Other pipe connections are available on request
- Plug with visual indication and peak voltage suppression or with cable length of 2m (see Solenoids, Coils & Accessories section)

### INSTALLATION

- The solenoid valves **must be mounted vertical and upright**
- Pipe connection identifier is E = Rp (ISO 7/1)
- Installation/maintenance instructions are included with each valve

### SPARE PARTS KIT

catalogue number	spare parts kit no.	
	~	=
SCE222E002LT	<b>C304065LT</b>	-
SCE222F003LT	<b>C304065LT</b>	-

- Not available

### ORDERING EXAMPLES:

SC	E	222	E	002	LT	230V / 50 Hz
SC	E	222	F	003	LT	24V / 50 Hz
prefix	pipe thread	basic number				voltage
						suffix

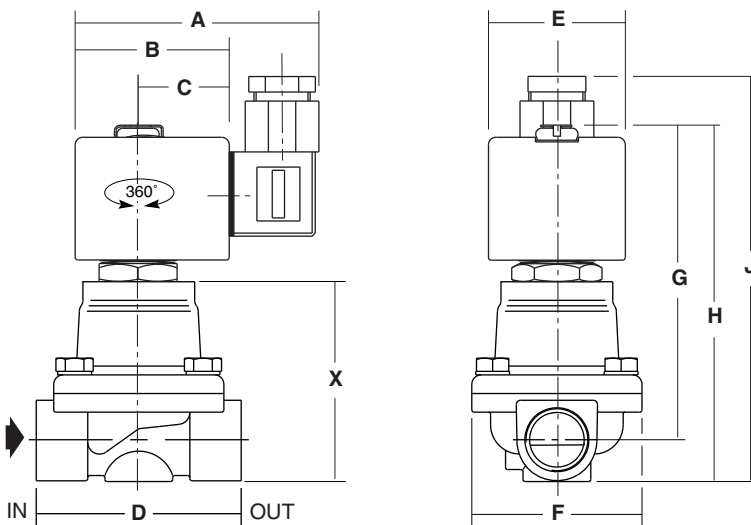
### ORDERING EXAMPLES KITS:

	C304065
basic number	

### DIMENSIONS (mm), WEIGHT (kg)



**TYPE 01**  
Prefix "SC" Solenoid  
Epoxy moulded  
IEC 335 / ISO 4400  
IP65



type	prefix option	catalogue number	A	B	C	D	E	F	G	H	J	X	weight <sup>(1)</sup>
01	SC	SCE222E002LT	80	50	30	70	45	59	104	119	131	69	1,1
		SCE222F003LT	80	50	30	73	45	58	108	125	137	75	1,2

<sup>(1)</sup> including coil and connector.

All leaflets are available on: [www.asconumatics.eu](http://www.asconumatics.eu)