

**GENERAL**

<b>Fluid</b>	Air or neutral gas, filtered at 50 µm, without condensate, lubricated or not
<b>Maximum allowable pressure (MAP)</b>	2 to 18 bar
<b>Control range</b>	0-0,1 bar to 0-16 bar
<b>Fluid temperature</b>	0°C to +60°C
<b>Ambient temperature</b>	0°C to +40°C
<b>Flow (Qv at 6 bar)</b>	700 to 5600 l/min (ANR)
<b>Setpoint - analog</b>	0 - 10 V (0 - 20 mA or 4 - 20 mA as option)
<b>- digital (option)</b>	8 bits + memory function 8 bits + pressure reset
<b>Hysteresis</b>	< 1% of span
<b>Linearity</b>	< 0,5% of span
<b>Repeatability</b>	< 0,5% of span
<b>Minimum setpoint</b>	50 ± 20 mV (0,1 mA) with shutoff function



**C**

**OPERATING DIAGRAM:** see page 4

**CONSTRUCTION**

<b>Body</b>	anodised aluminium
<b>Internal parts</b>	stainless steel and brass
<b>Seals</b>	NBR (nitrile)

**ELECTRICAL CHARACTERISTICS**

nominal diameter DN (mm)	stabilised voltage (1)	max. power (W)	max. current (2) (mA)	insulation class	degree of protection	electrical connection
6	24 V = +/-10%	29	1200	F	IP 65	7-pin plug-in connector DIN 43651 (supplied) (16 pins for digital)
12		34	1400			
20		44	1800			

(1) Max. ripple: 10 %

(2) Max. current consumption in highest control range version

**SPECIFICATIONS**

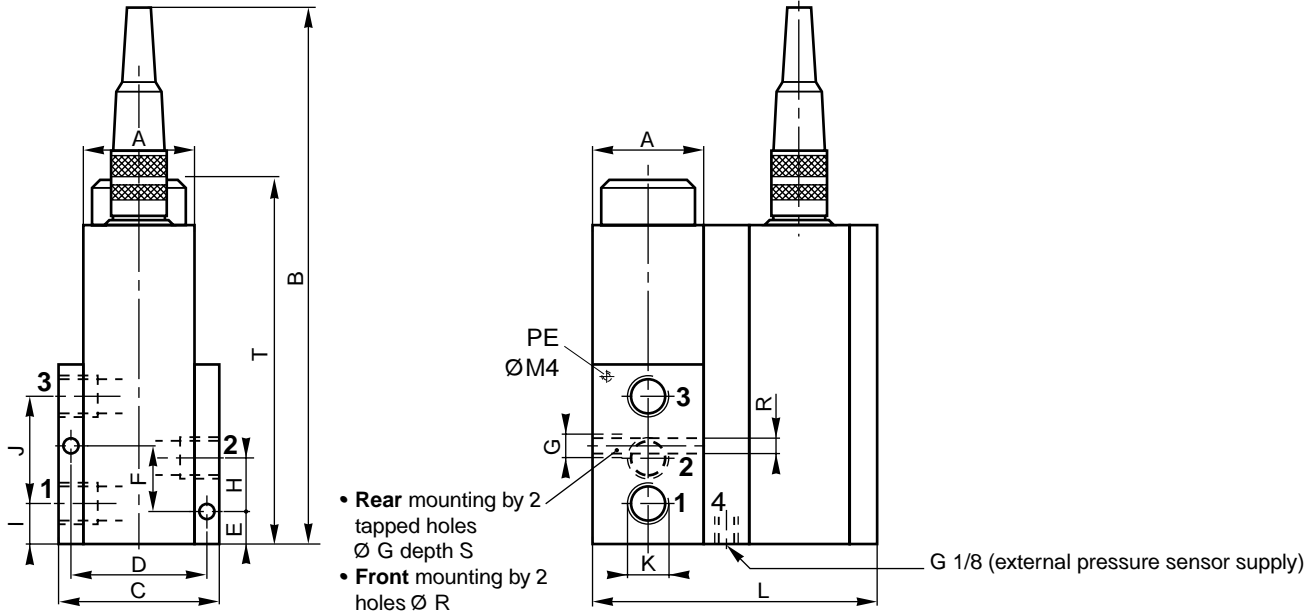
Ø connection	Ø orifice (mm)	flow		control range (bar)	maximum allowable pressure (MAP) (bar)	catalogue number
		Kv coefficient	at 6 bar (l/min) (ANR)			
G 1/4 *	6	10	700	0 - 0,1	2	60100109
				0 - 0,5	2	60100110
				0 - 1	2	60100111
				0 - 3	8	60100030
				0 - 6	9	60100114
				0 - 10	12	60100029
				0 - 16	18	60100028
G 1/2	12	20	1400	0 - 0,1	2	60100122
				0 - 0,5	2	60100123
				0 - 1	2	60100124
				0 - 3	8	60100033
				0 - 6	9	60100032
				0 - 12	14	60100031
				G 1	20	80
0 - 0,5	2	60100136				
0 - 1	2	60100137				
0 - 3	8	60100036				
0 - 6	9	60100035				
0 - 12	14	60100034				

\* G1/8 version on request

**OPTIONS**

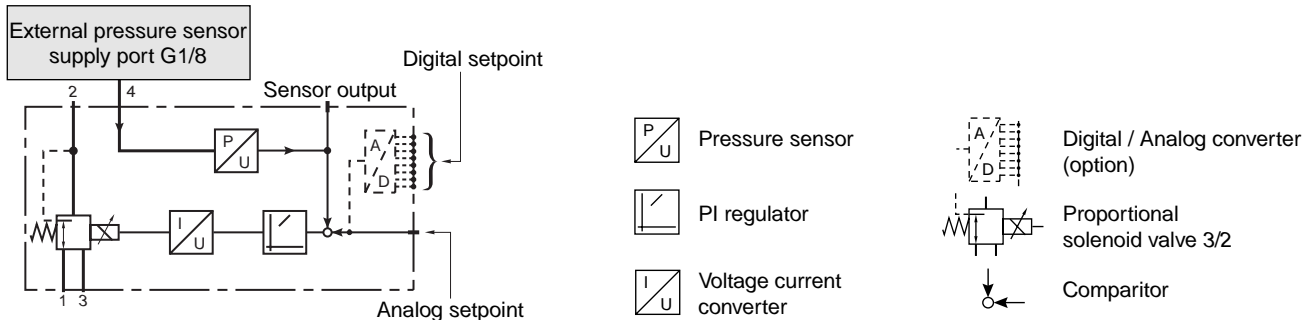
Analog setpoint 0 - 20 mA (sensitivity < 0,1 mA - impedance 500 Ω)	..... catalogue number: <b>010713</b>
Analog setpoint 4 - 20 mA (sensitivity < 0,1 mA - impedance 500 Ω)	..... catalogue number: <b>910507</b>
Optional ramp	..... catalogue number: <b>010610</b>
Digital setpoint (8 bits + memory function)	..... catalogue number: <b>010537</b>
Digital setpoint (8 bits + pressure reset)	..... catalogue number: <b>010606</b>
Sensor output 0 - 20 mA (0 - 10 V standard version)	..... catalogue number: <b>010538</b>
Sensor output 4 - 20 mA (0 - 10 V standard version)	..... catalogue number: <b>010616</b>
Pressure switch / SENTRONIC: (PNP) reference 24 V = if setting is reached	..... catalogue number: <b>010579</b>
Pressure switch / SENTRONIC: (NPN) ground reference if setting is reached	..... catalogue number: <b>010539</b>
Pressure switch / SENTRONIC: (PNP) reference 24 V = if setting is not reached	..... catalogue number: <b>010612</b>
Pressure switch / SENTRONIC: (NPN) ground reference if setting is not reached	..... catalogue number: <b>010613</b>
SENTRONIC pneumatic servovalve with external pressure sensor (consult us)	
Metallic sensor	..... catalogue number: <b>010607</b>
FPM seals (except G1/8)	..... catalogue number: <b>460594</b>
Oxygen application	..... catalogue number: <b>970518</b>

**DIMENSIONS (mm), WEIGHT (kg)**



Ø nominal	A	B	C	D	E	F	G	H	I	J	K	L	R	S	T	weight
6	36	175	52	43	10	20	M6	16	11	34,3	G 1/4	92	4	10	105	1,070
12	45	205	70	57,5	12	28	M6	22,5	15	48,5	G 1/2	111	4	10	136	2,110
20	60	240	96	79	15	33	M8	30,5	20	60	G 1	135	6	15	178	4,290

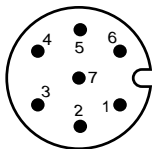
**OPERATING DIAGRAM**



**CONNECTOR WIRING**

**Analog setpoint version**

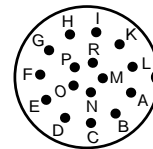
view direction " V " (solder side of female connector)



- 1 - Power +24V ±10%
- 2 - GND (Power)
- 3 - Input setpoint
- 4 - GND (Input)
- 5 - Output voltage stabilised 12 V, max. 30 mA
- 6 - Actual pressure (sensor output) (signal 0-10 V for the max. control range - max. 10 mA)
- 7 - Not connected (standard)  
As option: pressure switch output connection NPN or PNP (max. 500 mA)

**Digital setpoint version**

view direction " V " (solder side of female connector)



- A - Power +24V ±10%
- B - GND (Power)
- C - Bit 1 (LSB)
- D - Bit 2
- E - Bit 3
- F - Bit 4
- G - Bit 5
- H - Bit 6
- I - Bit 7
- K - Bit 8 (MSB)
- L - Memory function (option 010537)  
Pressure reset (option 010606)
- M - Not connected (standard)  
As option: pressure switch output connection NPN or PNP (max. 500 mA)
- N - Not connected
- O - Not connected
- P - Pressure signal (pressure sensor output 0 - 10V for the pressure range in question)
- R - Not connected