

**FEATURES**

- The FLOWTRONIC<sup>D</sup> consists of a fast, direct-acting 2-port proportional valve, a pressure sensor unit and digital control electronics.
- Especially designed for applications placing extreme dynamic demands on flow control.
- Control and maintenance of constant and even flow, irrespective of outside influences.
- Precise measurement of flow with two sensors.
- Adaptable to different applications due to the use of digital control electronics that can be configured by PC over a USB interface.
- Auto-tune function and ASCO FlowCom PC software provide for quick and easy start-up.
- Diagnosis over integrated LEDs or the ASCO FlowCom PC software.

**GENERAL**

<b>Fluid</b>	Air or neutral gas, filtered at 50 µm, without condensate, lubricated or not
<b>Minimum allowable pressure</b>	4 bar
<b>Maximum allowable pressure (MAP)</b>	8 bar
<b>Control range</b>	20 - 500 l/min (ANR) (up to max. 6 bar), consult us for other ranges
<b>Fluid temperature</b>	0°C to +50°C
<b>Ambient temperature</b>	0°C to +40°C
<b>Setpoint - analog</b>	0 - 10 V (100 kΩ), 0/4 to 20 mA (resistance 250 Ω)
<b>Feedback - analog</b>	0 - 10 V, 0/4 to 20 mA (max. load 500 Ω)
<b>Flow accuracy</b>	
<b>Hysteresis</b>	± 3%
<b>Linearity</b>	± 3%
<b>Repeatability</b>	± 1,5%
<b>Calibration conditions</b>	
<b>Ambient temperature</b>	22,5°C ±2,5°C
<b>Fluid</b>	Air
<b>Dynamic performance</b>	
<b>Response time</b>	< 200 ms
<b>Other features</b>	Auto-tune, error display by LED



**CONSTRUCTION**

<b>Body</b>	Aluminium
<b>Internal parts</b>	Aluminium, stainless steel and brass
<b>Seals</b>	NBR (nitrile)

**ELECTRICAL CHARACTERISTICS**

nominal diameter DN (mm)	voltage *	max. power (W)	max. current (mA)	insulation class	degree of protection	electrical connection
6	24 V = +/-10%	30	1250	H	IP65	- 5 pin M12 connector - USB connection with 4 pin M12 connector

\* Max. ripple: 10 %

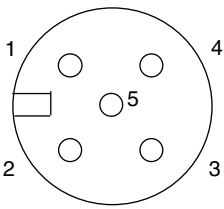
**SPECIFICATIONS**

connection Ø	nominal diameter DN (mm)	flow 1) (Nl/min) (ANR)	max. inlet pressure (bar)	setpoint	output feedback	catalogue number	
						with display	without display
G 1/4	6	20 - 500	8 bar	0 - 10 V	0 - 10 V	<b>60701001</b>	<b>60701002</b>
					0 - 20 mA	<b>60701003</b>	<b>60701004</b>
					4 - 20 mA	<b>60701005</b>	<b>60701006</b>
				0 - 20 mA	0 - 10 V	<b>60701007</b>	<b>60701008</b>
					0 - 20 mA	<b>60701009</b>	<b>60701010</b>
					4 - 20 mA	<b>60701011</b>	<b>60701012</b>
				4 - 20 mA	0 - 10 V	<b>60701013</b>	<b>60701014</b>
					0 - 20 mA	<b>60701015</b>	<b>60701016</b>
					4 - 20 mA	<b>60701017</b>	<b>60701018</b>

1) Measurement without flow restriction at the outlet

00256GB-2007/R01  
Availability, design and specifications are subject to change without notice. All rights reserved.

**CONNECTOR PINNING / CABLE WIRING**

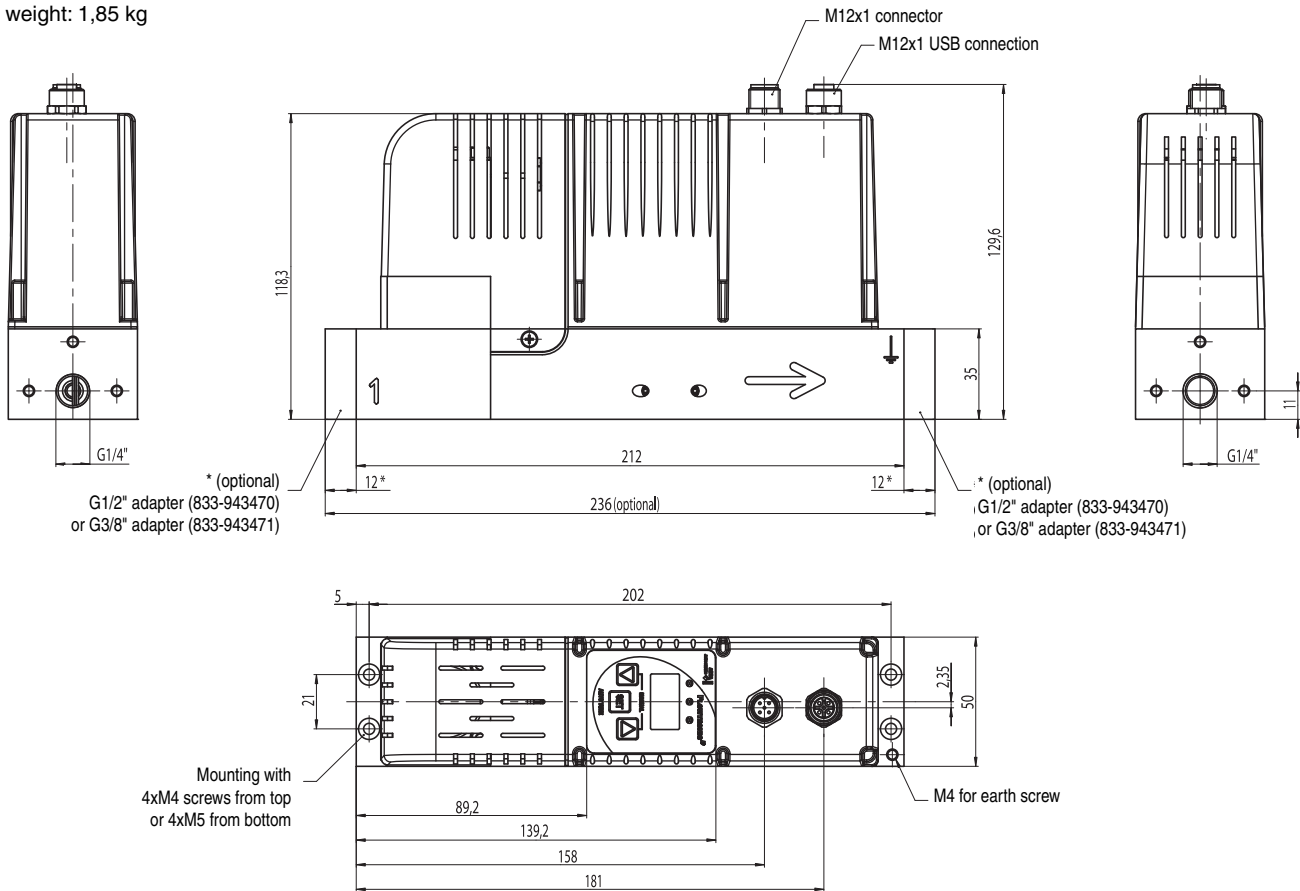


pin	description	5-wire cable (2m)	6-wire cable (5m, 10m)
1	24V voltage supply	brown	brown
2	Analog setpoint input	white	white
3	Supply ground	blue	green
	Analog ground *		yellow
4	Analog output (feedback)	black	pink
5	Digital output (pressure switch)	grey	grey
<b>Body</b>	EMC shield	shield	shield

\*) A 6-wire cable with separate analog ground is used for cable lengths over 2 m to set off the voltage drop for the setpoint.

**DIMENSIONS (mm), WEIGHT (kg)**

weight: 1,85 kg



**ACCESSORIES**

description	catalogue number
FLOWTRONIC <sup>D</sup> software "ASCO-FlowCom-Light" - CD-ROM	<b>88100895</b>
FLOWTRONIC <sup>D</sup> software "ASCO-FlowCom-Expert" - CD-ROM	<b>88100896</b>
USB cable for connection of FLOWTRONIC <sup>D</sup> to PC	<b>88100897</b>
Straight M12 female connector, 5 pins, with screw terminals	<b>88100256</b>
Right-angle M12 female connector, 5 pins, with screw terminals	<b>88100725</b>
Supply cable 2 m, 5x0,25 mm <sup>2</sup> , straight connector	<b>88100726</b>
Supply cable 2 m, 5x0,25 mm <sup>2</sup> , right-angle connector	<b>88100727</b>
Supply cable 5 m, 6x0,56 mm <sup>2</sup> , straight connector	<b>88100728</b>
Supply cable 5 m, 6x0,56 mm <sup>2</sup> , right-angle connector	<b>88100729</b>
Supply cable 10 m, 6x0,56 mm <sup>2</sup> , straight connector	<b>88100730</b>
Supply cable 10 m, 6x0,56 mm <sup>2</sup> , right-angle connector	<b>88100731</b>