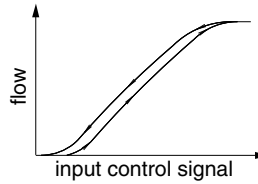


FEATURES

- Variable flow, proportional to the applied current
- Inlet Pressure Compensated construction (IPC)
- Valves do not require a minimum operating pressure
- 2/2 NC function: fluid entry under the disc
- The solenoid valves satisfy all relevant EC directives



GENERAL

Differential pressure	See «SPECIFICATIONS» [1 bar = 100 kPa]
Max. backpressure	10% of inlet pressure
Max. overload pressure	10 bar
Maximum viscosity	50 cSt (mm ² /s)

fluids (*)	temperature range (TS)	seal materials (*)
air, inert gas ⁽¹⁾	+10°C to +50°C	FPM (fluoroelastomer)

⁽¹⁾ Filtration: 5 µm



MATERIALS IN CONTACT WITH FLUID

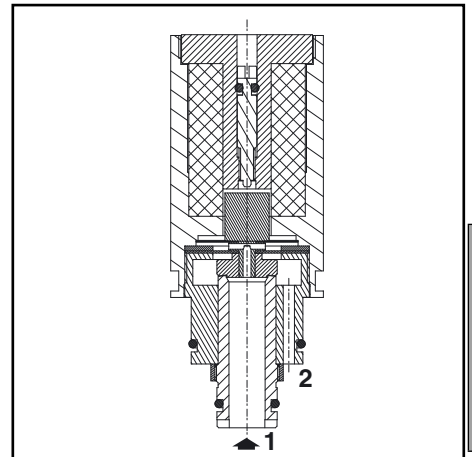
(*) Ensure that the compatibility of the fluids in contact with the materials is verified

Body	Brass or stainless steel or PVDF (polyvinylidene fluoride)
Core and plugnut	Stainless steel
Springs	Stainless steel
Seat	Stainless steel
Seals	FPM
Disc	FPM

ELECTRICAL CHARACTERISTICS

Coil insulation class	F
Connection	Cable leads (PTFE); 0,23 m length (AWG 24)
Electrical safety	IEC 335
Electrical enclosure protection	IP40 (EN 60529)
Standard voltages	DC (=) : 6V - 12V - 24V

(other voltages on request)



4

prefix option	voltage (V) =	current consumption (mA)	power ratings			operator ambient temperature range (TS) (C°)	type ⁽¹⁾	
			inrush ~ (VA)	holding ~ (VA)	hot/cold = (W)			
L	6	max. 420	-	-	-	2,5	+10 to +50	01
	12	max. 210						
	24	max. 110						

⁽¹⁾ Refer to the dimensional drawings on the following page.

Voltage regulation	0 - 6 V DC, 0 - 12 V DC, 0 - 24 V DC 6 V, 12 V and 24 V DC pulse-width modulated (2000 Hz)
Flow regulation characteristics	Hysteresis < 5%; Repeatability 1%; Sensitivity < 1%

SPECIFICATIONS

pipe size	orifice size (mm)	flow coefficient Kv (m ³ /h) (l/min)		operating pressure differential (bar)			power coil (W)	catalogue number		
				min.	max. (PS)			brass (=)	stainless steel (=)	PVDF (=)
					air, inert gas (*)	=				
NC - Normally closed										
G 1/8	3	0,17	2,8	0	7	2,5	LG202A514	-	-	-
13,9 mm cartridge	3	0,17	2,8	0	7	2,5	-	LS202A515	-	-
pad mounting	3	0,17	2,8	0	7	2,5	-	-	-	LS202A516

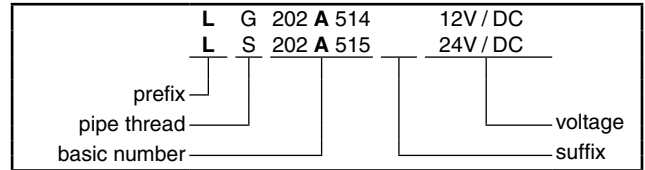
OPTIONS

- Digital control module CONTROL^D for DIN EN 50022 rail mounting (catalogue numbers: **60300117 - 60300118**)
Features:
 - Control device for PWM (pulse-width modulated) proportional valve control
 - Designed for open-loop, closed-loop and double-loop (cascaded) control
 - Suitable for the control of flow, pressure, temperature, force etc.
 - Integrated display and LEDs
 - Control parameters adjustable via software (DigiCom, USB interface)
 - Auto-Adapt function/button for automatic adjustment of the CONTROL^D control device to the control valve
 - CONTROL^D software, „ASCO-DigiCom“ for adjustment over PC. Setpoint and feedback values are viewed at the same time
 - Valve diagnostics, parameter setting and maintenance
- Other pipe connections are available on request

INSTALLATION

- The solenoid valves can be mounted in any position without affecting operation
- Pipe connection identifier is G = G (ISO 228/1)
- Installation/maintenance instructions are included with each valve

ORDERING EXAMPLES:

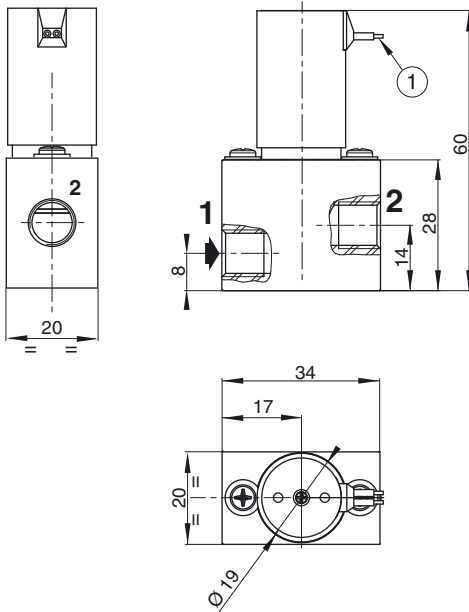


DIMENSIONS (mm), WEIGHT (kg)

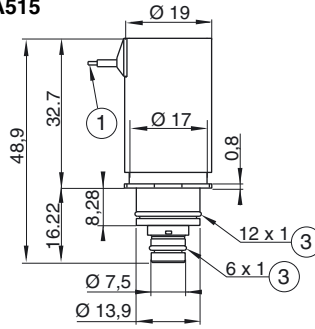


TYPE 01
Prefix "L" Solenoid
Cable ends
IP40

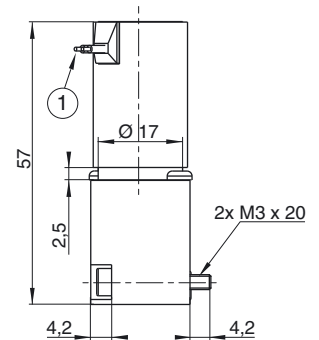
LG202A514



LS202A515



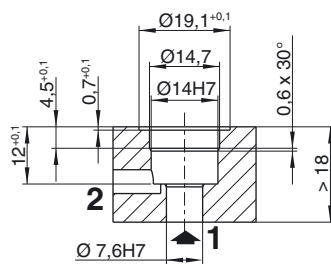
LS202A516



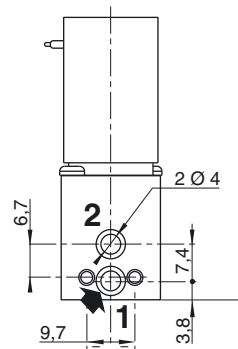
- ① 2 electrical supply wires, length: 0,23 m.
- ② Mounting: 2 screws M3 x 6 mm + washers
- ③ O-Ring

type	prefix option	catalogue number	weight ⁽¹⁾
01	L	LG202A514	0,183
		LS202A515	0,063
		LS202A516	0,073

⁽¹⁾ Including leads, length 0,23 m.



Mounting geometry



Mounting pad