

SZ (SERIES LIMIT SWITCH BOX)

The SOLDO SZ limit switch box provides an heavy duty explosion proof enclosure for remote electrical indication of rotary valve/actuator position. Bolt cover design and ATEX $\text{Ex II 2 GD EEx d IIC T6}$ and $\text{Ex II 2 D T85}^\circ\text{C}$ certification make the SZ series the ideal limit switch for use in Hydrogen and Acetylen hazardous areas applications. SOLDO has the flexibility and know how to offer an effective support whenever specific needs require the development of customised solutions.

(EXPLOSION PROOF AND WEATHER PROOF)

The SZ series is ATEX explosion proof $\text{Ex II 2 GD EEx d IIC T6}$, $\text{Ex II 2 D T85}^\circ\text{C}$ and IP67 weather proof enclosure.

(SHOCK RESISTANT HOUSING)

Die cast aluminium body and cover polyester powder coated inside and out side plus stainless steel shaft make this unit ideal for use in hostile environments.

(LOW TEMPERATURE EXECUTION)

The SZ series has been tested and certified for use in low temperature hazardous areas up to -40°C .

(JUNCTION BOX)

SZ series can be provided with extra terminal strip to accommodate external solenoid valve and has two cable entries $3/4"$ npt/f (M25x1.5 as option). This feature provides a significant cost saving by eliminating the need for a separate junction box and associated labour. Several terminal strip option are available: blue or green colour, cage clamp anti vibration or screw type.

(HIGH RESOLUTION SPLINED CAMS)

Easy-set cams are splined spring loaded and independently adjustable. This design offers tool free calibration and positive vibration resistant engagement.

(SWITCH OPTIONS)

SZ series can be provided with different types of switches: SPDT or DPDT electromechanical silver plated or gold plated contacts; cylindrical, V3 or slot type inductive proximity (all inductive Namur 2 wire or NPN or PNP); SPDT or DPDT magnetic proximity inert gas sealed.

(MOUNTING KIT)

Housing conforms to international dimension standards VDI/VDE3845 output shaft dimensions. This reduces cost by eliminating need for switch/actuator coupler. An universal stainless steel mounting kit to fit SZ both on pneumatic actuators (standardised or not) and on lever operated valves is available.



(MATERIALS)

Body and cover : polyester powder painted aluminium
Shaft : stainless steel

(RATINGS)

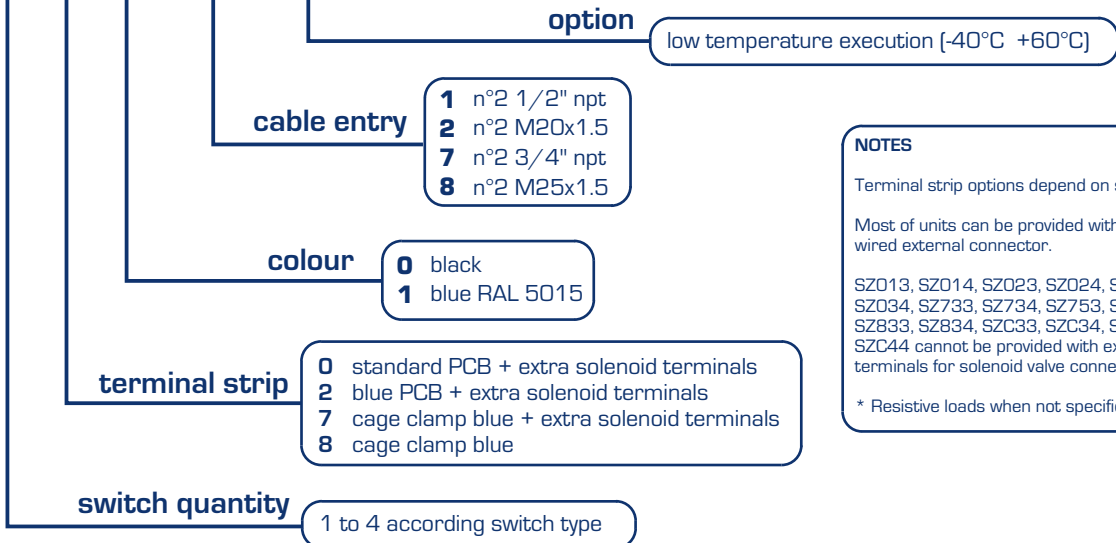
Ambient temperature range ⁽¹⁾:
 $-20^\circ\text{C} + 60^\circ\text{C}$ (standard execution)
 $-40^\circ\text{C} + 60^\circ\text{C}$ (low temperature execution)

Electrical: according to switch option
Consult "B02003-E-SWITCH_DATA" bulletin for switch rating.

SZ (SERIES LIMIT SWITCH BOX)

(STANDARD OPTIONS AVAILABLE - Nomenclature)

SZ 01 2 0 1 - 7 - LT1



NOTES

Terminal strip options depend on switch type.

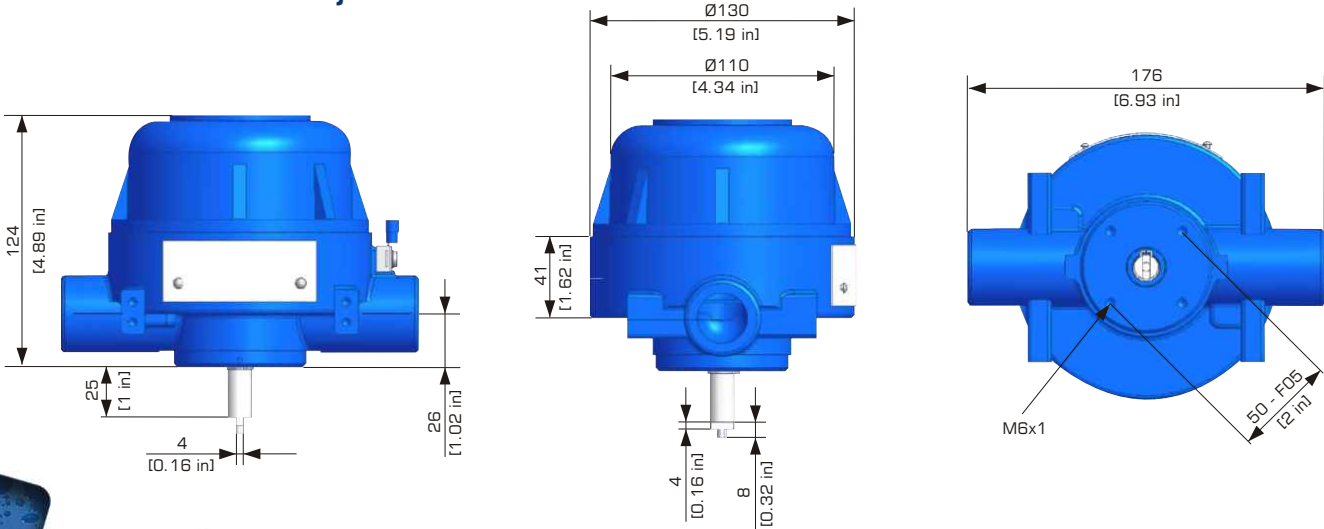
Most of units can be provided with a pre-wired external connector.

SZ013, SZ014, SZ023, SZ024, SZ033, SZ034, SZ733, SZ734, SZ753, SZ754, SZ833, SZ834, SZC33, SZC34, SZC43, SZC44 cannot be provided with extra terminals for solenoid valve connection.

* Resistive loads when not specified.

switch type	rating *	max q.ty installed
01 electromech SPDT silver plated contacts	max 5A@250VAC - 3A@24VDC min 50mA@250VAC - 50mA@24VDC	4
02 electromech SPDT gold plated contacts hermetically sealed	max 3A@250VAC - 1A@24VDC min 5mA@250VAC - 1mA@24VDC	4
03 electromech SPDT gold plated contacts	max 3A@250VAC - 1A@24VDC min 5mA@250VAC - 1mA@24VDC	4
17 electromech DPDT gold plated contacts hermetically sealed	max 0.1A@250VAC - 0.1A@24VDC min 1mA@24VDC	2
18 electromech DPDT silver plated contacts hermetically sealed	max 2A@250VAC - 2A@24VDC min 50mA@24VDC	2
C3 proximity SPST bifurcated inert gas hermetically sealed	max 1,5A@120VAC - 0,5A@24VDC (resistive/inductive)	4
C4 proximity SPDT inert gas hermetically sealed	max 1A@120VAC - 1A@24VDC - max 25W	4
32 proximity NO P+F NBN4 12GM40 ZD	2 wire amplified, 5-60VDC, 2-100mA	2
73 proximity PNP NO P+F NBB2 V3 E2	3 wire amplified, 10-30VDC, 100mA	4
75 proximity NO / NC programmable IFM IS5026	2 wire amplified, 5-36VDC, 200mA	4
83 proximity NO P+F NBB3-V3-Z4	2 wire amplified. 5-60VDC, 100mA	4

(DIMENSION mm - inch)



SOLDO srl - via Monte Baldo, 60
 25015 Desenzano d/G. - Brescia - Italy
 Tel. +39.030.9991309
 Fax +39.030.9141977
 e-mail: sales@soldo.net