




The SOLDO  **OMEGA**TM series combines a compact enclosure with limit switches, visual indication and integral solenoids for position indication plus valve actuator control.


The  **OMEGA**TM's proximity switches and EEx n (non-incendive) solenoid options make it the ideal low cost solution for use in non incendive applications. A wide variety of switches combines with weather proof and EEx ia solenoid valve also make the  **OMEGA**TM series suitable for use in general purpose and intrinsically safe applications.

(WEATHER PROOF)



The  **OMEGA**TM series is weatherproof IP67 and Nema 4, 4X and ideal for hostile, corrosive environments.

The housing is die cast aluminum and epoxy powder coated inside and outside and the shaft and trim are stainless steel. The pneumatic manifold including threaded areas is hard-coat anodized aluminum.



(INTEGRAL SOLENOID VALVE)

The  **OMEGA**TM series integral single and double 5-way solenoid valves dramatically reduce automation assembly time. Factory pre-wiring ensures reliable startups and long-term reliability.

(PNEUMATIC MANIFOLD)

The  **OMEGA**TM's pneumatic connections are 1/4 inch NPT. Optional breathers, speed controls and Namur adapters for actuator air line connections reduce assembly time. Optional air pressure gauges enable monitoring air system pressures during setup and normal operation.  **OMEGA**TM is also available with pneumatic connections according to VDI/VDE 3847.


(VALVE POSITION INDICATOR)

 **OMEGA**TM's large two-color 3D indicator can be clearly viewed from overhead and from all sides. The indicator, mounted on a shaft spline allows precise final adjustment for accurate position indication. The  **OMEGA**TM is also available with a flat indicator and a blank cover for limited space installations.

(HIGH RESOLUTION SPLINED CAMS)


Easy-set cams are splined spring loaded and independently adjustable. This design offers tool free calibration and positive vibration resistant engagement.

(SWITCH OPTIONS)


The  **OMEGA**TM series is available with a variety of switches and feedback choices including: electromechanical, inductive proximity, Namur, NPN, PNP and hermetic sealed proximity dry contact switches; ASi digital communication and 4-20 mA position transmitter.



(INTEGRAL NAMUR MOUNTING BRACKET)

The  **OMEGA**TM series features a unique bracketless mounting system for actuators conforming to ISO Namur standards. Extendable stainless steel mounting legs enable quick foolproof installation and adjustability for shaft lengths from 20mm to 50mm.

(TWIN SHAFTS)

The  **OMEGA**TM series features unique Twin-Shaft construction with separate shaft sections in the limit switch housing and the cover. Keyed shaft ends align and interlock inside the enclosure during cover installation. Twin-Shafts provide two key benefits; headroom requirement is reduced from 50 mm [2 inch] to less than 12 mm [1/2 inch] and the visual indicator assembly remains closed and sealed during cover removal and reinstallation.

[STANDARD OPTIONS AVAILABLE - Nomenclature]

H	N	R	C4	2	0	0	2	A	1	2	B
1	2	3	4	5	6	7	8	9	10	11	

1 class
N Ex n - Non Incendive

2 indicator & cover
R 3D indicator
Y Flat indicator
M Blank cover

3 switch type

see switch option table

4 switch quantity

1 to 4 according switch type

5 terminal strip
0 standard PCB
2 blue PCB

6 colour
0 black cationic epoxy coated

7 cable entry
1 two 1/2" npt
2 two M20x1.5
3 two 1/2" npt plus one 3/4" npt
4 two M20x1.5 plus one M25x1.5

8 mounting pattern
A integral mounting kit
B ISO F05 bottom

9 solenoid type
1 single coil 2 position 5 way
2 double coil 2 position 5 way
3 double coil 3 position 5 way centres closed

10 solenoid coil voltage
2 12 VDC
3 24 VDC
4 24 VAC
5 110 VAC
6 230 VAC

11 pneumatic connections
A 1/4" NPT without gauges
B 1/4" NPT with two gauges
C 1/4" BSP without gauges
D 1/4" BSP with two gauges

NOTES

 Indicator for 3 way valve [L or T] available on request
 Consult specific data sheet for dribble control system

[SWITCH OPTION]

SWITCH TYPE	RATING *	MAX Q.TY INSTALLED
C4 proximity SPDT inert gas hermetically sealed	max 1A@120VAC - 1A@24VDC - max 25W	4
6H proximity PNP NO P+F NBB2-V3-E2-3G-3D	3 wire amplified, 10-30VDC, 100mA	4
88 proximity PNP NO P+F NJ2-12GM40-E2-3G-3D	3 wire amplified, 10-60VDC, 200mA	2
89 proximity PNP NO P+F NJ4-12GM40-E2-3G-3D	3 wire amplified, 10-60VDC, 200mA	2

NOTES: Terminal strip options depend on switch type.

* Resistive loads when not specified.

[SOLENOID VALVE AND AMBIENTE TEMPERATURE RANGE]

Marking: Ex II 3 GD Ex n IIC T6X - Ex tD A22 T85°C IP67

Operating voltage: 12VDC, 24VDC (max power rating 2,5W)
24VAC, 110VAC, 230VAC (max power rating 3VA)

Standard ambient temperature range: min -10°C max+40°C, special execution available min -20°C max +50°C

[PNEUMATIC RATINGS]

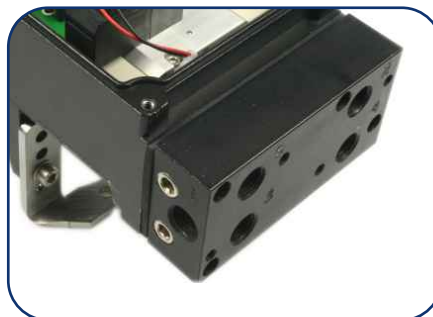
Fluid : filtered, lubricated or non lubricated compressed air (also dried to a dew point of -20°C)
Operating pressure : min. 2,5 bar - max 8 bar
Flow rate : 580 NI/min

[MATERIALS]

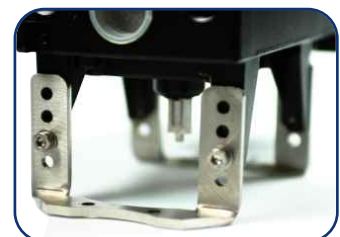
Body and cover : cationic epoxy coated aluminium
Indicator dome : UV resistant and VO polycarbonate
Pneumatic connection manifold : anodised aluminium
Seals : NBR
Shaft : stainless steel
Fasteners : stainless steel



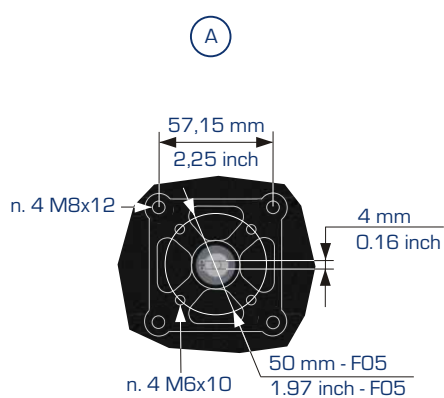
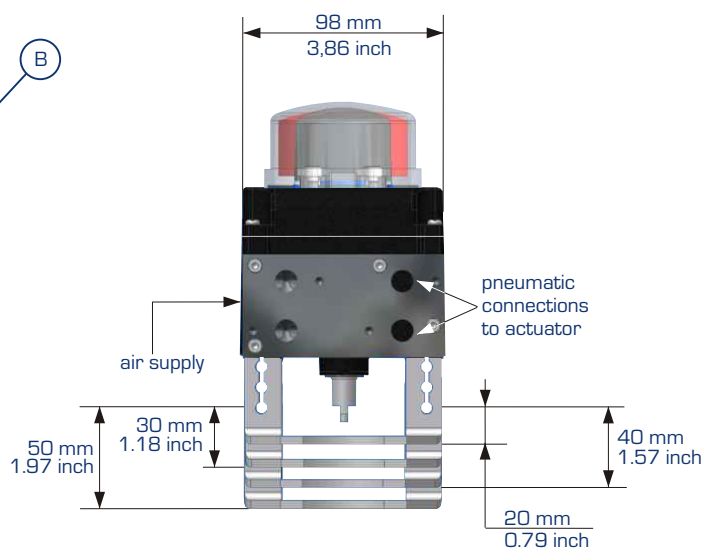
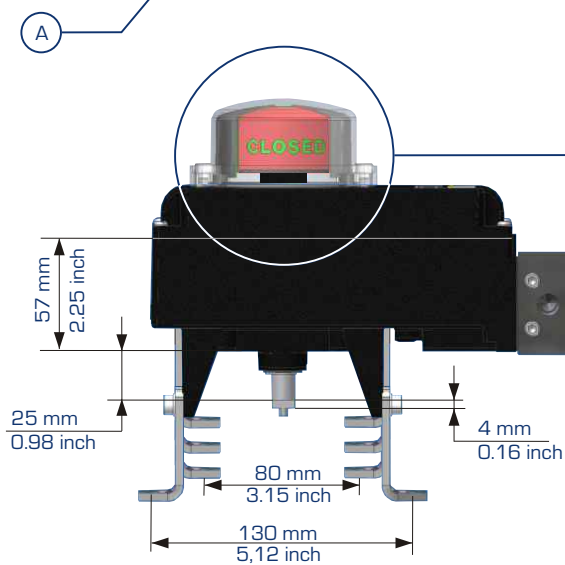
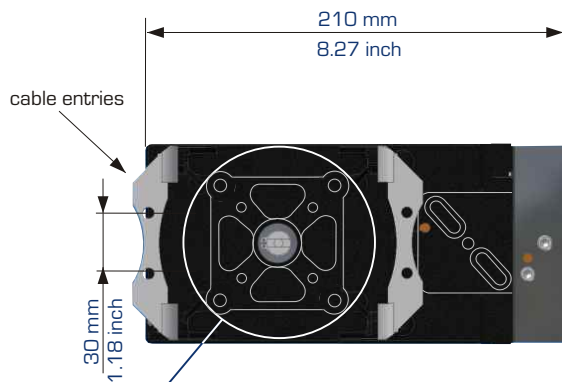
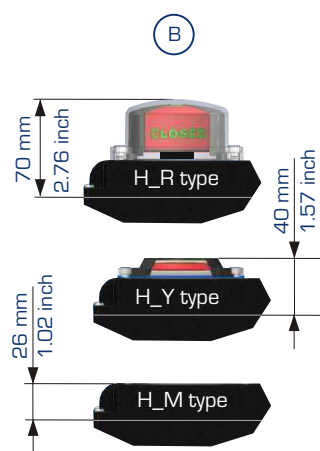
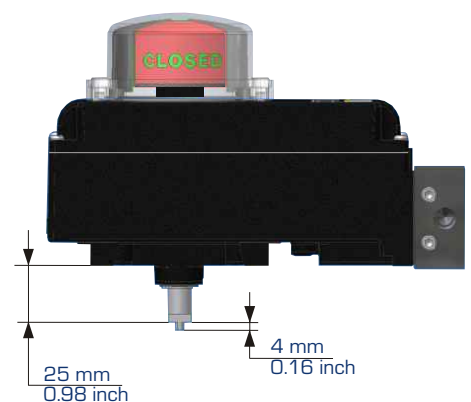
Solenoid valve and limit switches



Pneumatic manifold



Universal mounting kit

[DIMENSION mm - inch]

ISO Namur details

Cover options

Unit without integrated mounting bracket