

SA (SERIES LIMIT SWITCH BOX)

The SOLDO SA series limit switch box provides a compact design and heavy duty housing for remote electrical indication of rotary valve/actuator position. Aluminium body and cover provide very high mechanical resistance. The wide variety of options make the SA series the ideal limit switch for use in heavy industries for both IP67 weather proof and intrinsically safe applications. SOLDO has the flexibility and know how to offer an effective support whenever specific needs require the development of customised solutions.

(WEATHER PROOF)

IP67 and Nema 4 and 4X weather proof enclosure.

(CORROSION RESISTANT AND HEAVY DUTY HOUSING)

SA series are manufactured in a heavy duty housing made of die cast die cromated and polyester powder coated aluminium. Shaft is sealed with body and switches are completely enclosed into the aluminium weather proof enclosure.

(COMPACT DESIGN WITH BLANK COVER)

SA series has been designed in order to have the most compact solution to be installed onto pneumatic actuators. Together with special adaption kits SA series switch boxes can be mounted also onto linear valves and actuators.

(JUNCTION BOX)

SA series can be provide with extra terminal strip to accommodate external solenoid valve and has two M20x1.5 (1/2" npt/f or PG13.5 as option) cable entries. This feature provides a significant cost saving by eliminating the need for a separate junction box and associated labour. Cable entries have a 13 mm thread thickness, this feature prevents housing damage due to very heavy cables or cable glands. Several terminal strip option are available: blue or green colour, cage clamp anti vibration or screw type.

(HIGH RESOLUTION SPLINED CAMS)

Easy-set cams are splined spring loaded and independently adjustable. This design offers tool free calibration and positive vibration resistant engagement.

(SWITCH OPTIONS)

SA series can be provided with different types of switches: SPDT or DPDT electromechanical silver plated or gold plated contacts; cylindrical, V3 or slot type inductive proximity NPN or PNP; SPDT or DPDT magnetic proximity. Is also available a complete range of limit switch boxes EEx ia ATEX certificate (consult SI bulletin). AS-I digital communication interface card, 3 position dribble control, 2 wire 4-20mA current position transmitter and pneumatic 3 way valves are also available. An anti-condensation 24V resistance is available on request.

(STANDARDISED MOUNTING)

Housing conforms to international dimension standards VDI/VDE3845 output shaft dimensions and ISO F05 bolt hole locations. This maximizes interchangeability plus reduces cost by eliminating need for switch/actuator coupler. A complete range of stainless steel mounting kit to fit SA both on pneumatic actuators (standardised or not) and on lever operated valves is available.

(SST SHAFT MOUNTED ON BEARINGS)

No metal to metal contact between body and rotating shaft warrants a very low torque.



(MATERIALS)

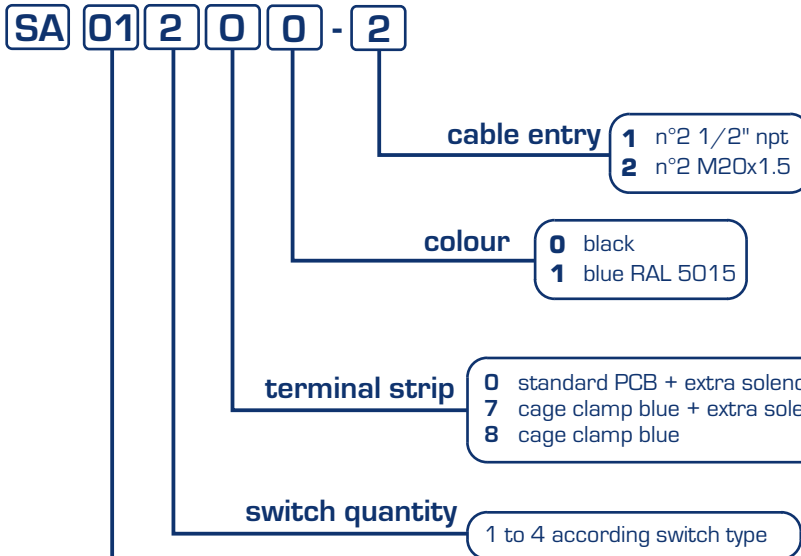
Body and cover : die cast, die cromated and polyester powder coated aluminium
Shaft : stainless steel
Fasteners : stainless steel

(RATINGS)

Temperature range: standard -20°C + 80°C
Temp. range may vary due to switch range
Low temp. and high temp. execution available on request
Electrical: according to switch option
Consult "BO2003-E-SWITCH_DATA" bulletin for switch rating

SA (SERIES LIMIT SWITCH BOX)

(STANDARD OPTIONS AVAILABLE - Nomenclature)



NOTES

* Namur EEx ia proximity switches available on SIA series limit switch box ATEX certificate (consult SI bulletin)

** Resistive loads when not specified.

Terminal strip options depend on switch type.

Most of units can be provided with a pre-wired external connector.

SA013, SA023, SA033, SA172, SA182, SA733, SA753 cannot be provided with extra terminals for solenoid valve connection.

Consult specific data sheets for AS-I, dribble control and pneumatic options.

switch type *	rating **	max q.ty installed
01 electromech SPDT silver plated contacts	max 5A@250VAC - 3A@24VDC min 50mA@250VAC - 50mA@24VDC	3
02 electromech SPDT gold plated contacts hermetically sealed	max 3A@250VAC - 1A@24VDC min 5mA@250VAC - 1mA@24VDC	3
03 electromech SPDT gold plated contacts	max 3A@250VAC - 1A@24VDC min 5mA@250VAC - 1mA@24VDC	3
17 electromech DPDT gold plated contacts hermetically sealed	max 0.1A@250VAC - 0.1A@24VDC min 1mA@24VDC	2
18 electromech DPDT silver plated contacts hermetically sealed	max 2A@250VAC - 2A@24VDC min 50mA@24VDC	2
C3 proximity SPST bifurcated inert gas hermetically sealed	max 1,5A@120VAC - 0,5A@24VDC (resistive/ inductive)	2
C4 proximity SPDT inert gas hermetically sealed	max 1A@120VAC - 1A@24VDC - max 25W	2
32 proximity NO P+F NBN4 12GM40 Z0	2 wire amplified, 5-60VDC, 2-100mA	2
73 proximity PNP NO P+F NBB2 V3 E2	3 wire amplified, 10-30VDC, 100mA	3
75 proximity NO / NC programmable IFM IS5026	2 wire amplified, 5-36VDC, 200mA	3
83 proximity NO P+F NBB3-V3-Z4	2 wire amplified, 5-60VDC, 100mA	3
91 4-20 mA transmitter	10-30VDC direct - reverse action	1

(DIMENSION mm - inch)

