

SH (SERIES LIMIT SWITCH BOX)

The SOLDO SH series hazardous location limit switch provides a compact design and low cost for both visual and remote electrical indication of rotary valve/actuator position. The heavy duty design and wide variety of options make the SH series the ideal multi-purpose limit switch for use in EEx d IIB+H2 applications. SOLDO has the flexibility and know how to offer an effective support whenever specific needs require the development of customised solutions.

(EXPLOSION PROOF AND WEATHER PROOF)

SX series are ATEX explosion proof Ex II2D/G EEx d IIB+H2 T4/T5/T6 and water proof IP67. Suitable for Hidrogen classified areas.

(ALUMINIUM HOUSING)

The external polyester powder coating and internal die cromating plus stainless steel shaft, make this unit ideal for use in hostile environments. Housings include captive cover screws to permit calibration without potential for losing screws.

(HIGH SIZE 3D POSITION INDICATOR)

SH series mounts as standard a large two-colours 3D position indicator; it is easy to see real valve position both looking from top and from side of the valve. Indicator is mounted on a splined retainer in order to be finely and easily adjusted.

(JUNCTION BOX)

SH series can be provided with extra terminal strip to accommodate external solenoid valve and has three cable entries: two 1/2" npt/f (M20x1.5 as option) + one 3/4" npt/f (M25x1.5 as option). This feature provides a significant cost saving by eliminating the need for a separate junction box and associated labour. Several terminal strip option are available: blue or green colour, cage clamp anti vibration or screw type.

(HIGH RESOLUTION SPLINED CAMS)

Easy-set cams are splined spring loaded and independently adjustable. This design offers tool free calibration and positive vibration resistant engagement.

(SWITCH OPTIONS)

SH series can be provided with different types of switches: SPDT or DPDT electromechanical silver plated or gold plated contacts; cylindrical, V3 or slot type inductive proximity (all inductive Namur 2 wire or NPN or PNP); SPDT or DPDT magnetic proximity inert gas sealed.

(STANDARDISED MOUNTING)

Housing conforms to international dimension standards VDI/VDE3845 output shaft dimensions and ISO F05 bolt hole locations. This maximizes interchangeability plus reduces cost by eliminating need for switch/actuator coupler. A complete range of stainless steel mounting kit to fit SH both on pneumatic actuators (standardised or not) and on lever operated valves is available.

(SST TWIN SHAFT DESIGN)

SH series provides a twin shaft design, one shaft is sealed and fitted into body and another shaft is fitted and sealed into cover. This feature allows an easy and fast cover removal without need of indicator adjustment every time cover is removed.



(MATERIALS)

Body and cover	: die cromated and polyester powder coated aluminium
Indicator dome	: UV resistant and VO polycarbonate
Shaft	: stainless steel
Fasteners	: stainless steel

(RATINGS)

Ambient temperature range ⁽¹⁾:
-25°C + 60°C (T6)
-25°C + 80°C (T5)
-25°C + 105°C (T4)
Electrical: according to switch option
Consult "BO2003-E-SWITCH_DATA" bulletin for switch rating

⁽¹⁾Temp. range may vary due to switch range.

SH (SERIES LIMIT SWITCH BOX)

(STANDARD OPTIONS AVAILABLE - Nomenclature)

SH 01 2 0 1 - 1

cable entry

- 1 n°2 1/2" npt
- 2 n°2 M20x1.5
- 3 n°2 1/2" npt + n°1 3/4" npt
- 4 n°2 M20x1.5 + n° 1 M25x1.5

colour

- 0 black
- 1 blue RAL 5015

terminal strip

- 0 standard PCB + extra solenoid terminals
- 2 blue PCB + extra solenoid terminals
- 7 cage clamp blue + extra solenoid terminals
- 8 cage clamp blue

switch quantity

1 to 4 according switch type

NOTES

Terminal strip options depend on switch type.

Most of units can be provided with a pre-wired external connector.

Consult specific data sheets for AS-I and dribble control options.

* Resistive loads when not specified.

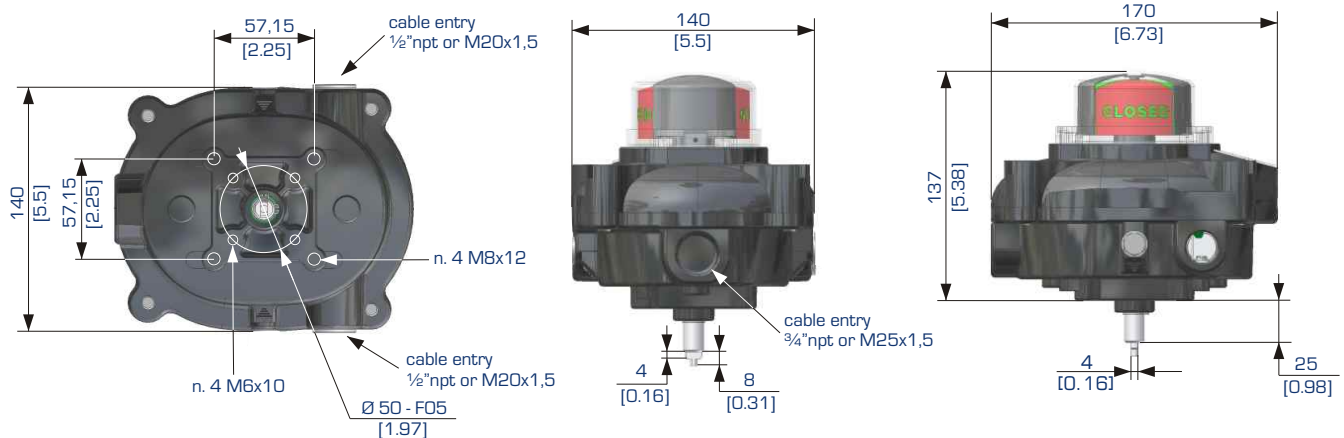
switch type

rating *

max q.ty installed

01	electromech SPDT silver plated contacts	max 5A@250VAC - 3A@24VDC min 50mA@250VAC - 50mA@24VDC	2
02	electromech SPDT gold plated contacts hermetically sealed	max 3A@250VAC - 1A@24VDC min 5mA@250VAC - 1mA@24VDC	2
03	electromech SPDT gold plated contacts	max 3A@250VAC - 1A@24VDC min 5mA@250VAC - 1mA@24VDC	2
C3	proximity SPST bifurcated inert gas hermetically sealed	max 1,5A@120VAC - 0,5A@24VDC (resistive/inductive)	2
C4	proximity SPDT inert gas hermetically sealed	max 1A@120VAC - 1A@24VDC - max 25W	2
32	proximity NO P+F NBN4 12GM40 Z0	2 wire amplified, 5-60VDC, 2-100mA	2
73	proximity PNP NO P+F NBB2 V3 E2	3 wire amplified, 10-30VDC, 100mA	2
75	proximity NO / NC programmable IFM IS5026	2 wire amplified, 5-36VDC, 200mA	2
83	proximity NO P+F NBB3-V3-Z4	2 wire amplified, 5-60VDC, 100mA	2

(DIMENSION mm - inch)



SOLDO
CONTROLS

SOLDO srl - via Monte Baldo, 60
25015 Desenzano d/G. - Brescia - Italy
Tel. +39.030.9991309
Fax +39.030.9141977
e-mail: sales@soldo.net