

SY (SERIES LIMIT SWITCH BOX)

The SOLDO SY series hazardous location limit switch provides a compact design and low cost for both visual and remote electrical indication of rotary valve/actuator position. The heavy duty design and wide variety of options make the SY series the ideal multi-purpose limit switch for use in EEx d IIC applications. SOLDO has the flexibility and know how to offer an effective support whenever specific needs require the development of customised solutions.

(EXPLOSION PROOF AND WEATHER PROOF)

SY series are ATEX explosion proof Ex II 2 GD Ex d IIC T6 Ex tD A21 IP67 T85°C and water proof IP67. Optional Nema 4X, 7&9 available on request.

(ALUMINIUM HOUSING)

The external and internal cationic epoxy coating plus stainless steel shaft make this unit ideal for use in hostile environments.

(HIGH SIZE 3D POSITION INDICATOR)

SY series mounts as standard a large two-colours 3D position indicator; it is easy to see real valve position both looking from top and from side of the valve.

The polycarbonate indicator cover is complete of and easy set adjustmen system in order to set the correct valve position indication every time cover is removed.

(SST TWIN SHAFT DESIGN)

SY series provides a twin shaft design, one shaft is sealed and fitted into body and another shaft is fitted and sealed into cover.

(JUNCTION BOX)

SY series can be provided with extra terminal strip to accommodate external solenoid valve and has four cable entries: 1/2" npt/f (M20x1.5 as option) or 3/4" npt/f (M25x1.5 as option). This feature provides a significant cost saving by eliminating the need for a separate junction box and associated labour. Several terminal strip option are available: blue or green colour, cage clamp anti vibration or screw type.

(HIGH RESOLUTION SPLINED CAMS)

Easy-set cams are splined spring loaded and independently adjustable. This design offers tool free calibration and positive vibration resistant engagement.

(SWITCH OPTIONS)

SY series can be provided with different types of switches: up to four SPDT or DPDT electromechanical silver plated or gold plated contacts; cylindrical, V3 or slot type inductive proximity (all inductive Namur 2 wire or NPN or PNP); SPDT or DPDT magnetic proximity inert gas sealed. AS-I digital communication interface card, 3 position dribble control, 2 wire 4-20mA current position transmitter.

(STANDARDISED MOUNTING)

Housing conforms to international dimension standards VDI/VDE3845 output shaft dimensions and ISO F05 bolt hole locations. This maximizes interchangeability plus reduces cost by eliminating need for switch/actuator coupler. A complete range of stainless steel mounting kit to fit SY both on pneumatic actuators (standardised or not) and on lever operated valves is available.



(MATERIALS)

Body and cover : cationic epoxy painted aluminium
Indicator dome : UV resistant and VO polycarbonate
Shaft : stainless steel
Fasteners : stainless steel

(RATINGS)

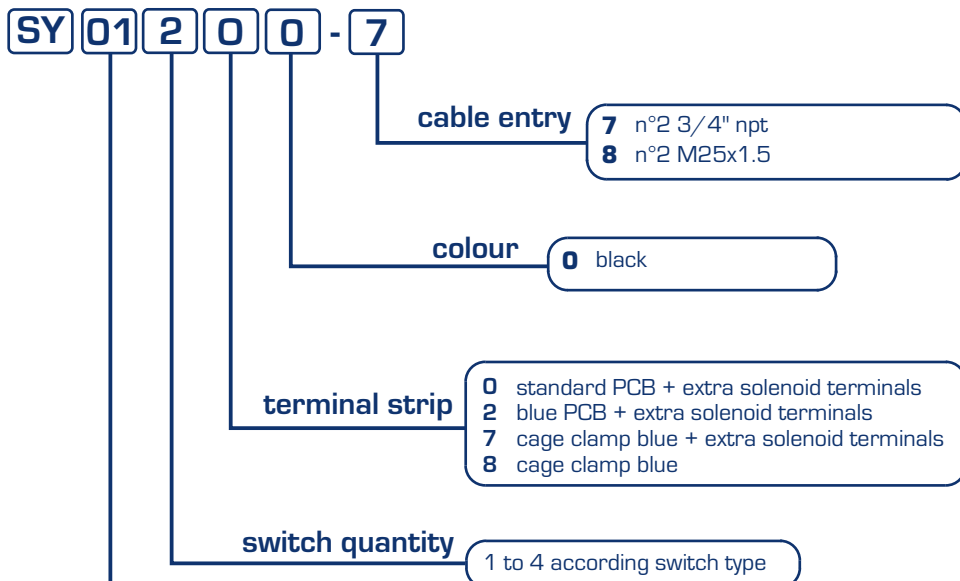
Ambient temperature range⁽¹⁾:
-25°C + 60°C (T6)
Low temperature execution up to -50°C available on request

Electrical: according to switch option
Consult "B02003-E-SWITCH_DATA" bulletin for switch rating

⁽¹⁾Temp. range may vary due to switch range.

SY (SERIES LIMIT SWITCH BOX)

(STANDARD OPTIONS AVAILABLE - Nomenclature)



NOTES

Terminal strip options depend on switch type.

Available on request different cable entries

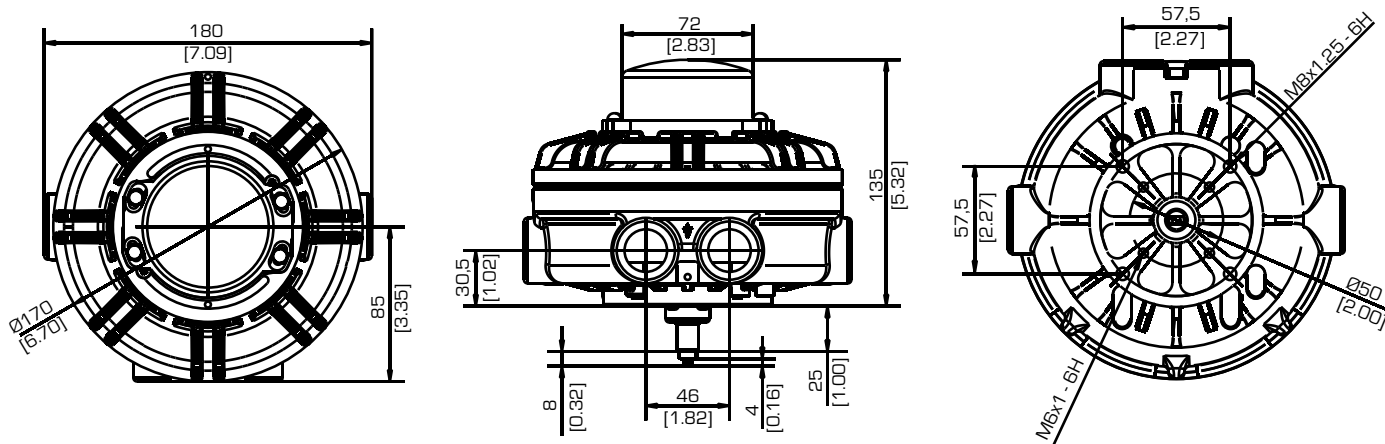
SY013, SY014, SY023, SY024, SY033, SY034, SY733, SY734, SY753, SY754, SY833, SY834, SYC33, SYC34, SYC43, SYC44 cannot be provided with extra terminals for solenoid valve connection.

Consult specific data sheets for AS-I and dribble control options.

** Resistive loads when not specified.

switch type *	rating **	max q.ty installed
01 electromech SPDT silver plated contacts	max 5A@250VAC - 3A@24VDC min 50mA@250VAC - 50mA@24VDC	4
02 electromech SPDT gold plated contacts hermetically sealed	max 3A@250VAC - 1A@24VDC min 5mA@250VAC - 1mA@24VDC	4
03 electromech SPDT gold plated contacts	max 3A@250VAC - 1A@24VDC min 5mA@250VAC - 1mA@24VDC	4
C3 proximity SPST bifurcated inert gas hermetically sealed	max 1,5A@120VAC - 0,5A@24VDC (resistive/inductive)	4
C4 proximity SPDT inert gas hermetically sealed	max 1A@120VAC - 1A@24VDC - max 25W	4
32 proximity NO P+F NBN4 12GM40 ZO	2 wire amplified, 5-60VDC, 2-100mA	2
73 proximity PNP NO P+F NBB2 V3 E2	3 wire amplified, 10-30VDC, 100mA	4
75 proximity NO / NC programmable IFM IS5026	2 wire amplified, 5-36VDC, 200mA	4
83 proximity NO P+F NBB3-V3-Z4	2 wire amplified. 5-60VDC, 100mA	4
91 4-20 mA transmitter	10-30VDC direct - reverse action	1

(DIMENSION mm - inch)



SOLDO srl - via Monte Baldo, 60
 25015 Desenzano d/G. - Brescia - Italy
 Tel. +39.030.9991309
 Fax +39.030.9141977
 e-mail: sales@soldo.net

www.soldo.net

SOLDO Srl reserves the right to change without notice
 B02053-E-SY-RO