




The SOLDO  **OMEGA**TM series combines a compact enclosure with limit switches, visual indication and integral solenoids for position indication plus valve actuator control.


The  **OMEGA**TM's wide variety of Namur switches and solenoid options make it the ideal low cost solution for use in intrinsically safe applications. A wide range of switch options combines with water proof and EEx n solenoid valve also make the  **OMEGA**TM series suitable for use in general purpose and non incensive applications.

(WEATHER PROOF)



The  **OMEGA**TM series is weatherproof IP67 and Nema 4, 4X and ideal for hostile, corrosive environments.

The housing is die cast aluminum and epoxy powder coated inside and outside and the shaft and trim are stainless steel. The pneumatic manifold including threaded areas is hard-coat anodized aluminum.


(INTEGRAL SOLENOID VALVE)

The  **OMEGA**TM series integral single and double 5-way solenoid valves dramatically reduce automation assembly time. Factory pre-wiring ensures reliable startups and long-term reliability.

(PNEUMATIC MANIFOLD)

The  **OMEGA**TM's pneumatic connections are 1/4 inch NPT. Optional breathers, speed controls and Namur adapters for actuator air line connections reduce assembly time. Optional air pressure gauges enable monitoring air system pressures during setup and normal operation.  **OMEGA**TM is also available with pneumatic connections according to VDI/VDE 3847.


(VALVE POSITION INDICATOR)

 **OMEGA**TM's large two-color 3D indicator can be clearly viewed from overhead and from all sides. The indicator, mounted on a shaft spline allows precise final adjustment for accurate position indication. The  **OMEGA**TM is also available with a flat indicator and a blank cover for limited space installations.

(HIGH RESOLUTION SPLINED CAMS)


Easy-set cams are splined spring loaded and independently adjustable. This design offers tool free calibration and positive vibration resistant engagement.

(SWITCH OPTIONS)


The  **OMEGA**TM series is available with a variety of switches and feedback choices including: electromechanical, inductive proximity, Namur, NPN, PNP and hermetic sealed proximity dry contact switches; ASi digital communication and 4-20 mA position transmitter.



(INTEGRAL NAMUR MOUNTING BRACKET)

The  **OMEGA**TM series features a unique bracketless mounting system for actuators conforming to ISO Namur standards. Extendable stainless steel mounting legs enable quick foolproof installation and adjustability for shaft lengths from 20mm to 50mm.

(TWIN SHAFTS)

The  **OMEGA**TM series features unique Twin-Shaft construction with separate shaft sections in the limit switch housing and the cover. Keyed shaft ends align and interlock inside the enclosure during cover installation. Twin-Shafts provide two key benefits; headroom requirement is reduced from 50 mm [2 inch] to less than 12 mm [1/2 inch] and the visual indicator assembly remains closed and sealed during cover removal and reinstallation.

[STANDARD OPTIONS AVAILABLE - Nomenclature]

H	I	R	24	2	7	0	2	A	1	2	B
1	2	3	4	5	6	7	8	9	10	11	

1
class
I EEx i - Intrinsically safe

2
indicator & cover
R 3D indicator
Y Flat indicator
M Blank cover

3
switch type

see switch option table

4
switch quantity

1 to 4 according switch type

5
terminal strip
0 standard PCB
2 blue PCB
7 cage clamp blue

6
colour
0 black cationic epoxy coated

7
cable entry
1 two 1/2" npt
2 two M20x1.5
3 two 1/2" npt plus one 3/4" npt
4 two M20x1.5 plus one M25x1.5

8
mounting pattern
A integral mounting kit
B ISO F05 bottom

9
solenoid type
1 single coil 2 position 5 way
2 double coil 2 position 5 way
3 double coil 3 position 5 way centres closed

10
solenoid coil voltage
1 6 VDC (piezoelectric)
2 12 VDC
3 24 VDC
7 12 VDC (piezoelectric)
8 24 VDC (piezoelectric)

11
pneumatic connections
A 1/4" NPT without gauges
B 1/4" NPT with two gauges
C 1/4" BSP without gauges
D 1/4" BSP with two gauges

NOTES

 Indicator for 3 way valve [L or T] available on request
 Consult specific data sheet for dribble control system

[SWITCH OPTION]

SWITCH TYPE	RATING *	MAX Q.TY INSTALLED
01 electromech SPDT silver plated contacts	max 5A@250VAC - 3A@24VDC min 50mA@250VAC - 50mA@24VDC	4
02 electromech SPDT gold plated contacts hermetically sealed	max 3A@250VAC - 1A@24VDC min 5mA@250VAC - 1mA@24VDC	4
03 electromech SPDT gold plated contacts	max 3A@250VAC - 1A@24VDC min 5mA@250VAC - 1mA@24VDC	4
1F electromech DPDT silver plated contacts	max 5A@250VAC - 5A@24VDC	2
17 electromech DPDT gold plated contacts hermetically sealed	max 0.1A@250VAC - 0.1A@24VDC min 1mA@24VDC	2
18 electromech DPDT silver plated contacts hermetically sealed	max 2A@250VAC - 2A@24VDC min 50mA@24VDC	2
20 proximity NAMUR P+F NJ4 12GK N	2 wire not amplified Ex II 2 G/D EEx ia IIC T6	2
24 proximity NAMUR P+F NJ2 12GK N	2 wire not amplified Ex II 2 G/D EEx ia IIC T6	2
30 proximity NAMUR P+F NCB2 12GM35 NO	2 wire not amplified Ex II 2 G/D EEx ia IIC T6	2
39 proximity NAMUR P+F NJ2 12GK SN	2 wire not amplified Ex II 2 G/D EEx ia IIC T6	2
60 proximity NAMUR P+F SJ 3.5 N	2 wire not amplified Ex II 2 G/D EEx ia IIC T6	2
62 proximity NAMUR P+F SJ 3.5 SN	2 wire not amplified Ex II 2 G/D EEx ia IIC T6	2
70 proximity NAMUR P+F NJ2 V3 N	2 wire not amplified Ex II 2 G/D EEx ia IIC T6	4
C3 proximity SPST bifurcated inert gas hermetically sealed	max 1,5A@120VAC - 0,5A@24VDC (resistive/inductive)	4
C4 proximity SPDT inert gas hermetically sealed	max 1A@120VAC - 1A@24VDC - max 25W	4

NOTES: Terminal strip options depend on switch type.

* Resistive loads when not specified.

[SOLENOID VALVE AND AMBIENTE TEMPERATURE RANGE]

Marking: Ex II 2 GD EEx ia IIC T6

Standard version: Operating voltage available: 12-24VDC
Power rating from 0.5W to 0.7W in function of operating voltage
Ambient temperature range: min -10°C max+40°C

Piezoelectric version: Operating voltage available: from 6VDC to 24VDC
Power rating from 0.003W to 0.125W in function of operating voltage

[PNEUMATIC RATINGS]

Fluid : filtered, lubricated or non lubricated compressed air (also dried to a dew point of -20°C)
Operating pressure : min. 2,5 bar - max 8 bar
Flow rate : 580 NI/min

[MATERIALS]

Body and cover : cationic epoxy coated aluminium
Indicator dome : UV resistant and VO polycarbonate
Pneumatic connection manifold : anodised aluminium
Seals : NBR
Shaft : stainless steel
Fasteners : stainless steel



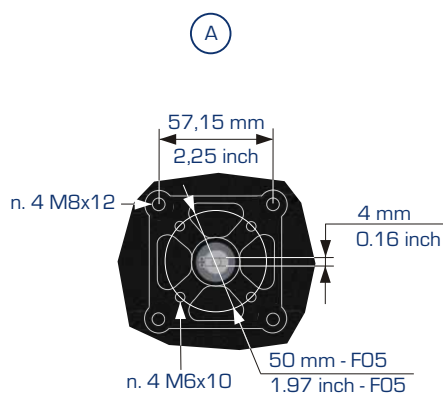
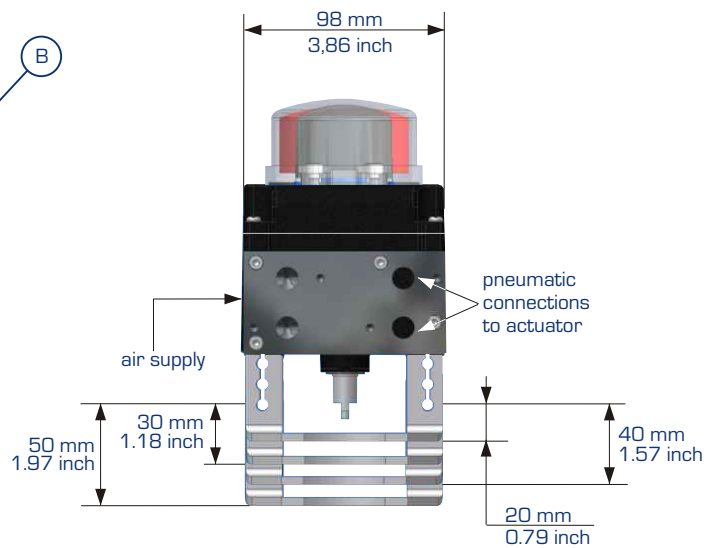
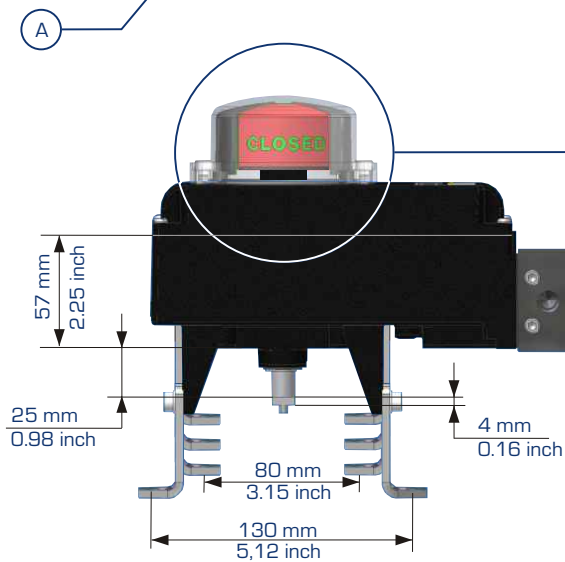
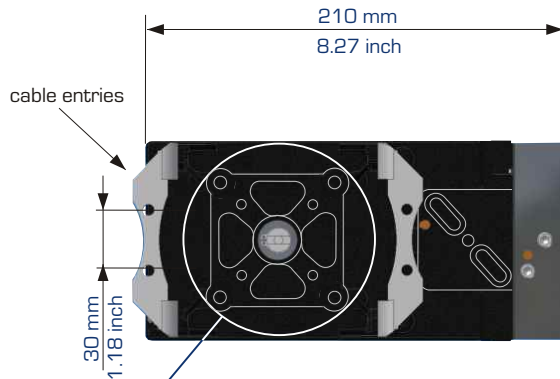
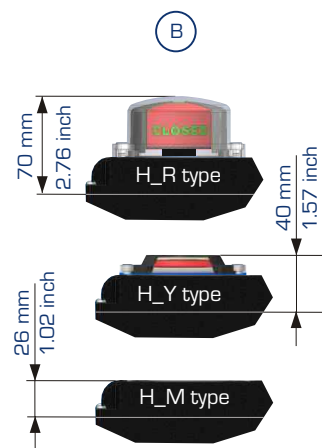
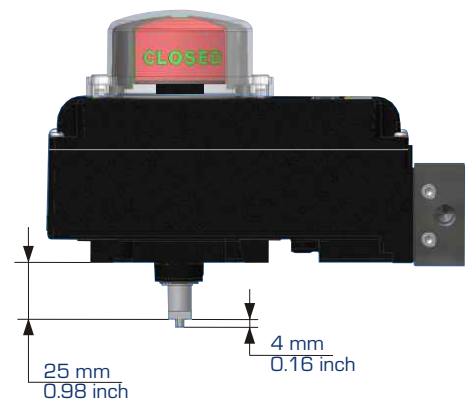
Solenoid valve and limit switches



Pneumatic manifold



Universal mounting kit

[DIMENSION mm - inch]

ISO Namur details

Cover options

Unit without integrated mounting bracket